

**UNDERWATER LIGHT STANDARD SERIES  
PROJECTEUR SOUS-MARIN SÉRIE STANDARD  
PROYECTOR SUBACUÁTICO SERIE STANDARD  
FARO SUBACQUEO SERIE STANDARD  
UNTERWASSER-SCHEINWERFER STANDARD SERIE  
FARO SUBACQUEO SÉRIE STANDARD  
STANDART SERİ SUALTI AYDINLATMA LAMBASI**



**CE**

INSTALLATION AND MAINTENANCE MANUAL  
MANUEL D'INSTALLATION ET D'ENTRETIEN  
MANUAL DE INSTALACIÓN Y MANTENIMIENTO  
MANUALE DI INSTALLAZIONE E MANUTENZIONE  
EINBAU-UND BETRIEBSANLEITUNG  
MANUAL DE INSTRUÇÕES E MANUNTENÇÃO  
KURULUM VE BAKIM TALİMATI

## ENGLISH

**IMPORTANT: The instruction manual you are holding includes essential information on the safety measures to be implemented for installation and start-up. Therefore, the installer as well as the user must read the instructions before beginning installation and start-up.**

To achieve optimum performance of the Standard Flood lamp follow the provided below:

### 1. VERIFY THE CONTENTS OF THE PACKING:

The following accessories are included inside the box:

#### Concrete pool flood lamp

- Housing Body
- Flood lamp unit

#### Prefabricated pool flood lamp

- Housing Body
- 2 watertight joints
- Flange
- Flood lamp unit
- Bag of screws
  - 2 DIN 7981 A2 4,8 x 16 screws
  - 16 DIN 966 A2 M6 x 24 (1) Screws
  - 16 DIN 7982 5,5 x 25 (2) Screws

(1) For flood lamps with metric pitch housing

(2) For flood lamps with self-threading housing

### 2. GENERAL CHARACTERISTICS:

This flood lamp has been designed to be used fully submerged underwater in fresh water swimming pools. It is a Class III electric apparatus with very low safety voltage (12 v with alternating current).

The flood lamp complies with IPX8 degree of protection (resistance to penetration of dust, solid bodies and humidity) at a nominal immersion depth of 2 m.

This flood lamp complies with international safety standards for lights, especially the EN 60598-2-18 standard: LIGHTS PART 2: SPECIFIC REQUIREMENTS SECTION 18 LIGHTS FOR SWIMMING POOLS AND SIMILAR APPLICATIONS.

The manufacturer is not responsible in any circumstances for assembly, installation or start-up of any electric components which have been inserted or handled at locations other its own premises.

### 3. INSTALLATION:

- Never install in vertical position with the lamp facing downwards.
- In order to clearly light a pool it is recommended to install a 300 W flood lamp every 25 or 35 m<sup>2</sup> of water surface in swimming pools which are especially deep, a 300 W flood lamp is required for every 30 or 40 m<sup>3</sup> of water volume.
- In order to prevent glare, the flood lamps should be installed so that they face away from the residence or usual view of the swimming pool.
- In the event that lighting is used in training or competition pools, the flood lamps should be installed on the sides to prevent glare on the swimmers.
- To avoid the need to empty the pool to change the lamp, we recommend that the flood lamp be installed in areas which are accessible from the upper edge of the pool.

Prior to installation verify that the gland seal has been fully tightened.

The flood lamp should be placed on the wall of the pool at approximately 400-700 mm from the water surface (Fig.1).

The method of fastening the housing to the pool wall varies depending on whether it is a flood lamp for concrete pools or prefabricated pools.

#### Concrete swimming pool

To install a flood lamp in a concrete swimming pool the housing should be fixed in the wall of the swimming pool (Fig.2). Make sure that the cable outlet of the housing remains on the upper part.

#### Prefabricated swimming pool

To install a flood lamp in prefabricated swimming pool make a circular hole with a diameter of 240 mm (Fig.2). Install the housing and one of the adhesive joints on the outer side of the pool. Install the other adhesive joint on the inner side and use two screws DIN 7981 4,8 x 16 to secure the three components. (Fig.3). Make sure that the cable outlet of the housing remains on the upper part.

To install the flange on the inner side of the swimming pool, make sure that the heads of the screws DIN 7981 4,8 x 16, which have been installed previously coincide with the area reserved for them on the back part of the clamp.

Secure the clamp to the pool wall using 16 screws:

DIN 966 M6 x 24 point if the housing is for screws with metric pitch (Fig.4).

DIN 7982 5,5 x 25 if the housing is for self-threading screws (Fig.4).

#### **4. ASSEMBLY:**

---

After installation of the housing and the clamp, if it is a prefabricated swimming pool, assemble the flood lamp. To connect the flood lamp to the electric power supply insert the cable through the gland seal nut (16). Tighten the gland seal nut until you can verify that the cable will not yield when you pull on it with your hand. Take the precaution of leaving 1,5 m of cable wound on the base of the flood lamp in order to be able to remove the flood lamp to the edge of the pool in the event that lamp replacement or handling is required. (Fig.5). Insert the entire flood lamp assembly in the housing (Fig.6). In order to obtain good pool lighting it is important that the anagram of the decorative ring is located on the upper part (Fig.7).

Screw in the two M6 x 80 screws until the fastening dog is secured in the inner walls of the housing (Fig.8). (052115)

#### **5. MAINTENANCE:**

---

To remove the flood lamp to the edge swimming pool (Fig.5) loosen the two DIN 966 M-6 x 80 screws until the fastening dog yields sufficiently so that the flood lamp unit can be separated from the housing. To remove the lamp, unscrew the 6 nuts which secure the decorative ring to the base of the flood lamp (Fig.9). Remove the lamp from the inside of the base of the flood lamp and disconnect the two terminals, loosening the two screws which secure them to the lamp. (Fig.10).

Change the lamp and assemble the flood lamp, in the opposite order described in point 4 of assembly, taking special care to:

- Connect the cable terminals to the lamp, using the 2 screws supplied with the lamp (Fig.11).
- Fully centre the 110 x 11 O-ring in its seat.
- Firmly tighten the nuts.

##### **Attention:**

- Before any handling ensure that there is NO voltage supplied to the flood lamp.
- The new lamp should have the same characteristics as that supplied with the flood lamp, PAR 300 W 12 V.
- In order to ensure full water tightness, clean the seat of the O-ring for the lamp or replace the O-ring if you observe any notches or permanent damage.

#### **6. START-UP:**

---

Ensure that the voltage the lamp receives is never greater than 12 V.

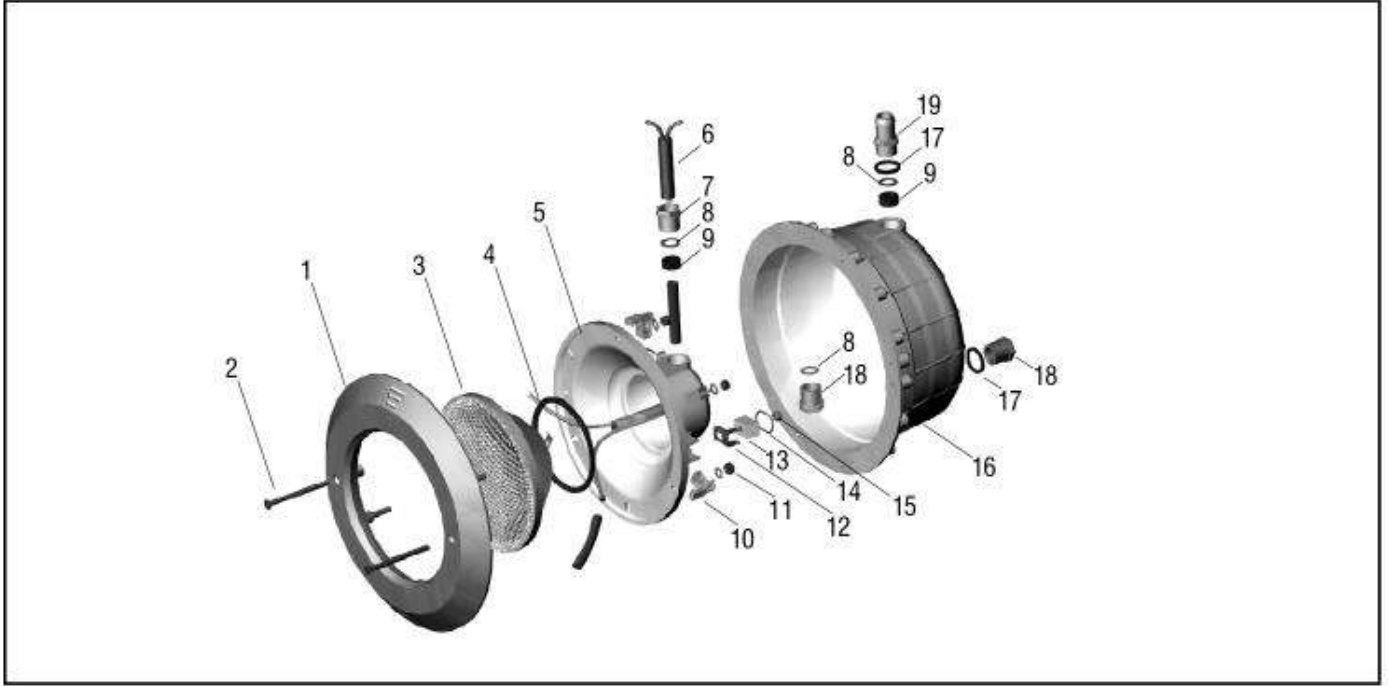
The flood lamp should only operate underwater while secured to the vertical walls of the pool. Never switch on flood lamp if it is not underwater.

#### **7. SAFETY WARNINGS:**

---

- The persons who are in charge of assembly should have the required qualifications for type of work.
- Avoid making contact with the electric voltage.
- Comply with the current standards regarding accident prevention.
- In this regard, the IEC 364-7-702 standards must be observed: WIRING IN BUILDINGS, SPECIAL WIRING.SWIMMING POOLS.
- Any operation related to the maintenance or replacement of parts should be performed with the flood lamp disconnected from the electric power system.
- Do not handle with wet feet.
- The manufacturer is not responsible in any circumstances for assembly, installation or start-up of any components which have been inserted or handled at locations other than its own premises.

## CONCRETE POOL / BETON HAVUZ



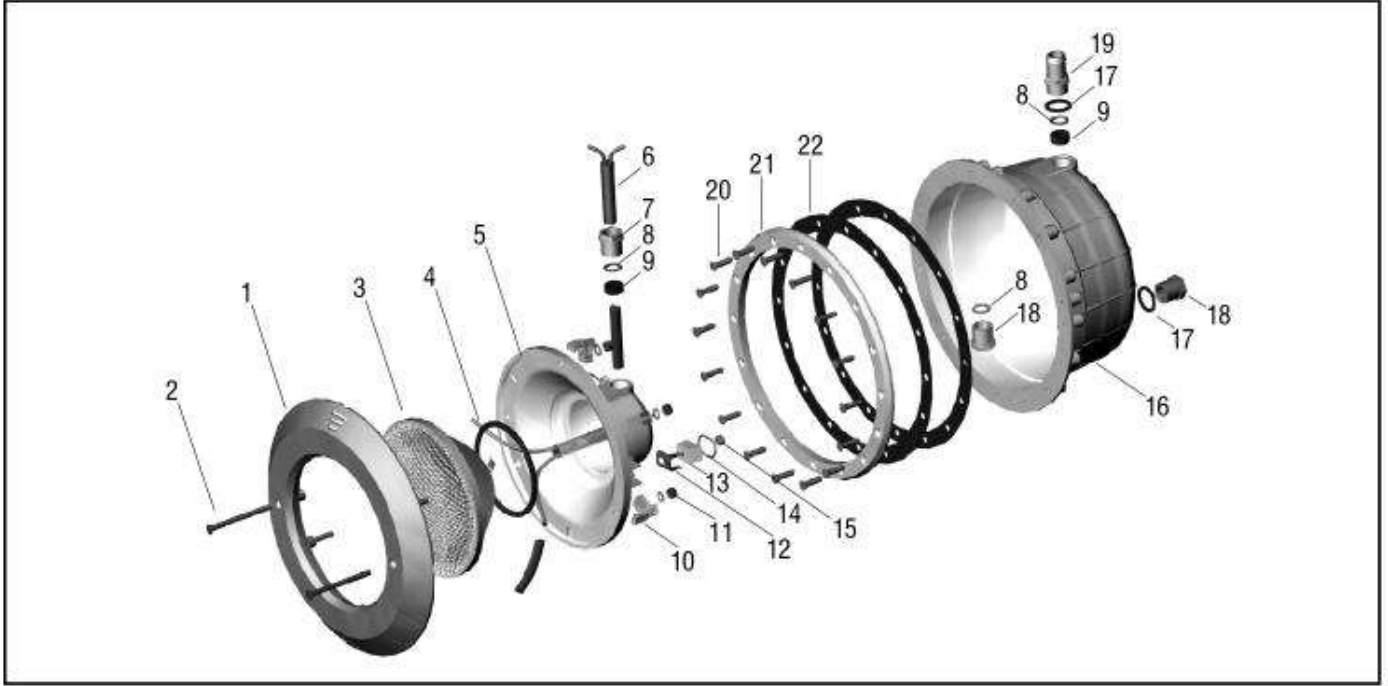
### ENGLISH

ID.	CODE	DESCRIPTION	Q.	ID.	CODE	DESCRIPTION	Q.
1	05111401	Decorative ring	1	11	02120007	Nut DIN 934 M-6	6
2	05111504	Screw DIN 966 M-6 x 75	2	12	05111407	Fastening dog	2
3	05111002	PAR 56 300 W 12 V Lamp	1	13	05111501	Fastening wedge	2
4	05111402	110 x 11 o-ring	1	14	13111502	O-ring 24 x 2	2
5	05111403	Floodlamp base	1	15	051115011	Nut DIN 1587 M-6	2
6	05111061	Electrical cable H07RN-F 2,5 m.	1	16	05111804	Floodlamp housing	1
7	05111108	Gland seal plug	1	17	05211104	Gland seal body butt joint	2
8	05211114	Plastic washer 20 x 15 x 1,5	2	18	05111108	Housing plug	2
9	05111109	Gland seal joint	2	19	05111111	Gland seal body M-25	1
10	05111407	Fastening clip	6				

### TÜRKÇE

NO	KOD	AÇIKLAMA	M. NO	KOD	AÇIKLAMA	M.	
1	05111401	Lamba Dış Çerçevesi	1	11	02120007	M-6 Somun	6
2	05111504	DIN 966 M-6 x 75	2	12	05111407	İnoks Kilitleme Tırnağı	2
3	05111002	PAR 56 300 W / 12 V Ampul	1	13	05111501	Lamba Kilitleme Takozu	2
4	05111402	110 x 11 O-Ring	1	14	13111502	O-ring 24 x 2	2
5	05111403	Ampul Kapağı	1	15	051115011	M-6 Fiber Kilitleme Somunu	2
6	05111061	H07RN-F Lamba Kablosu 2,5 m	1	16	05111804	Lamba Kovanı	1
7	05111108	Kablo Sıkma Somunu	1	17	05211104	Lamba Hortum Bağlantı Contası	2
8	05211114	Kablo Sıkma Pulu	2	18	05111108	Lamba Hortum Körtapası	2
9	05111109	Kablo Bağlantı Contası	2	19	05111111	Lamba Hortum Bağlantı Somunu	1
10	05111407	Lamba Tırnağı	6				

## PREFABRICATED POOL / PREFABRİK HAVUZ

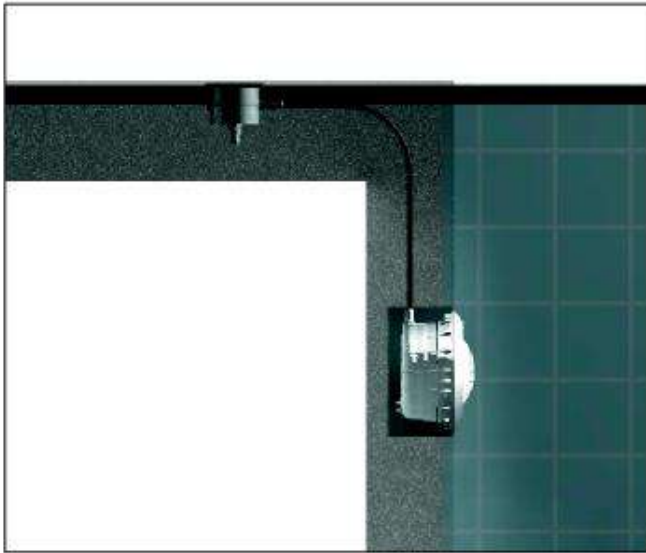


### ENGLISH

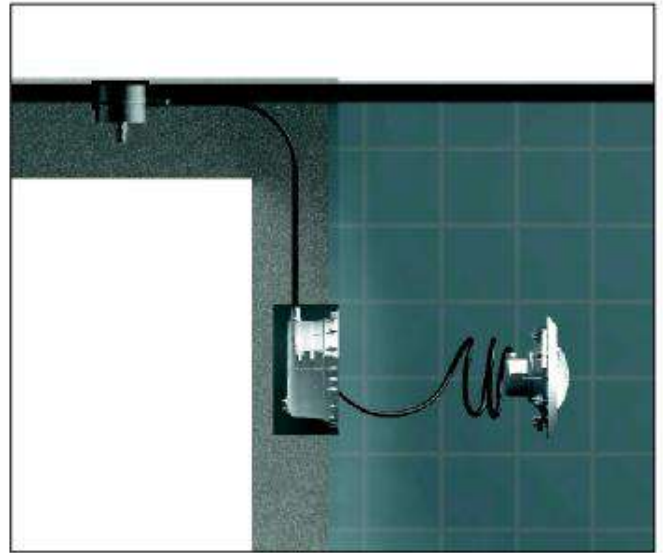
ID.	CODE	DESCRIPTION	Q.	ID.	CODE	DESCRIPTION	Q.
1	05111401	Decorative ring	1	12	05111407	Fastening dog	2
2	05111504	Screw DIN 966 M-6 x 75	2	13	05111501	Fastening wedge	2
3	05111002	PAR 56 300 W 12 V Lamp	1	14	13111502	O-ring 24 x 2	2
4	05111402	110 x 11 o-ring	1	15	051115011	Nut DIN 1587 M-6	2
5	05111403	Floodlamp base	1	16	052118B04	Floodlamp housing	1
6	05111061	Electrical cable H07RN-F 2,5 m.	1	17	05211104	Gland seal body butt joint	2
7	05111108	Gland seal plug	1	18	05111108	Housing plug	2
8	05211114	Plastic washer 20 x 15 x 1,5	2	19	05111111	Gland seal body M-25	1
9	05111109	Gland seal joint	2	20	052111B02	DIN 966 M-6 x 24 point screw	16
10	05111407	Fastening clip	6	21	05211402	Housing clamp	1
11	02120007	Nut DIN 934 M-6	6	22	05111403	Adhesive joints	2

### TÜRKÇE

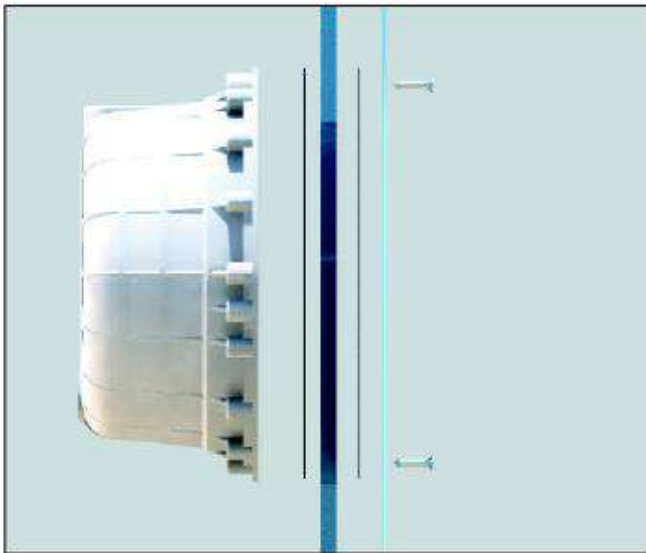
NO	KOD	AÇIKLAMA	M.	NO	KOD	AÇIKLAMA	M.
1	05111401	Lamba Dış Çerçevesi	1	12	05111407	Inoks Kilitleme Tırna ı	2
2	05111504	DIN 966 M-6 x 75	2	13	05111501	Lamba Kilitleme Tako zu	2
3	05111002	PAR 56 300 W / 12 V Ampul	1	14	13111502	O-ring 24 x 2	2
4	05111402	110 x 11 O-Ring	1	15	051115011	M-6 Fiber Kilitleme Somunu	2
5	05111403	Ampul Kapa ı	1	16	052118B04	Lamba Kovanı	1
6	05111061	H07RN-F Lamba Kablosu 2,5 m	1	17	05211104	Lamba Hortum Ba lantı Contası	2
7	05111108	Kablo Sıkma Somunu	1	18	05111108	Lamba Hortum Körtapası	2
8	05211114	Kablo Sıkma Pulu	2	19	05111111	Lamba Hortum Ba lantı Somunu	1
9	05111109	Kablo Bo ma Contası	2	20	052111B02	DIN 966 M-6 x 24 cıvata	16
10	05111407	Lamba Tırna ı	6	21	05211402	Lamba Flanşı	1
11	02120007	M-6 Somun	6	22	05111403	Yapışkan Lamba Flanş Contası	2



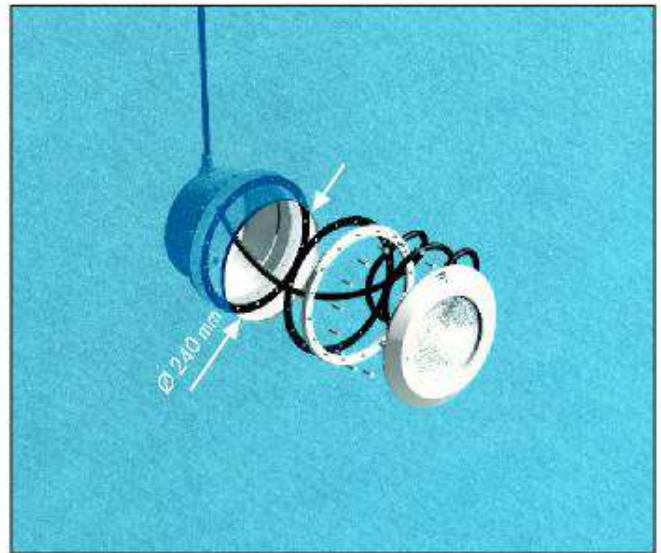
**Fig.1**



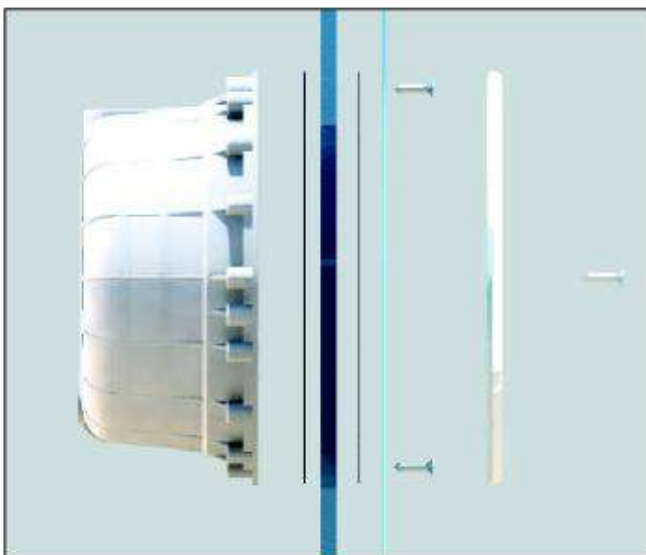
**Fig.2a Concrete pool / Piscina hormigón /  
Beton havuz**



**Fig.3**



**Fig.2b Prefabricated pool / Piscina prefabricada /  
Prefabrik havuz**



**Fig. 4**



**Fig. 5**



Fig.6



Fig.7



Fig.8



Fig.9

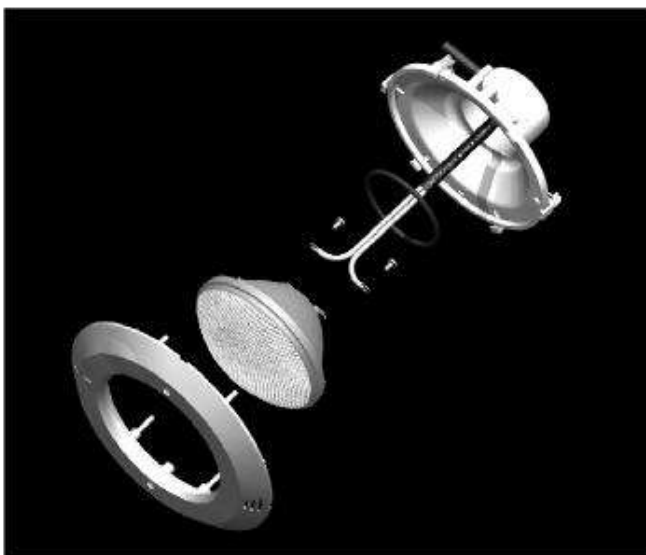
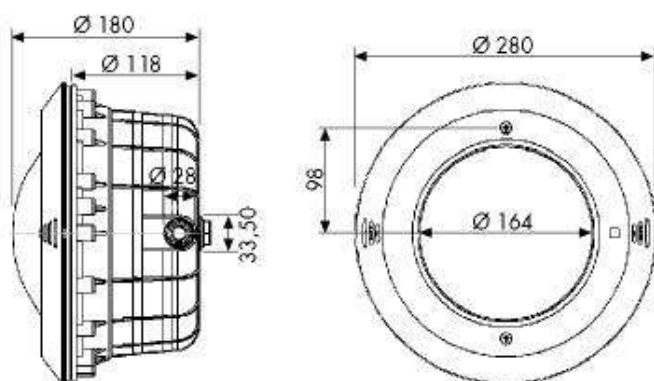


Fig.10



Fig.11

**TECHNICAL CHARACTERISTICS**  
**CARACTERISTIQUES TECHNIQUES**  
**CARACTERISTICAS TECNICAS**  
**DATI TECNICI**  
**TECHNISCHE ANGABEN**  
**CARACTERISTICAS TECNICAS**  
**TEKNİK KARAKTERİSTİKLER**



MODEL	STANDARD
Rated voltage / Tension nominale / Tensión nominal / Tensione nominale / Anschlussspannung / Tensão nominal / Voltaj	12 V
Current supply / Type de courant / Tipo de corriente / Tipo di corrente / Stromtype / Tipo de corrente / Elektrik akim türü	AC
Lamp / Lampe / Lámpara / Lampada / Lampe / Lámpada / Ampul	PAR 56 12 V AC 300 W
Degree of protection / Degré de protection / Grado de protección / Grado di protezione / Schutzgrad / Grau de protecção / Koruma sınıfı	Clase III IPX8
<p>TO BE USED ONLY WITH SECURITY TRANSFORMER / À UTILISER UNIQUEMENT AVEC UN TRANSFORMATEUR DE SÉCURITÉ / PARA USO EXCLUSIVO CON TRANSFORMADOR DE SEGURIDAD / PER USO ESCLUSIVO CON TRASFORMATORE DI SICUREZZA / NUR ZUSAMMEN MIT EINEM SICHERHEITSTRANSFORMATOR ZU BENUTZEN / PARA USO EXCLUSIVO COM TRANSFORMADOR DE SEGURANÇA / GÜVENLİKLİ BİR TRANSFORMATÖR İLE KULLANILIR.</p>	
<p>THE UNDERWATER LIGHT NEVER TO BE SWITCHED ON IF IT IS SUBMERGED / N'ALLUMER LE PROJECTEUR QUE SUBMERGÉ DANS L'EAU / NO ENCEDER NUNCA EL PROYECTOR SI NO ESTA SUMERGIDO EN AGUA / NON ACCENDERE MAI IL PROIETTORE SE NON É IMMERSO IN ACQUA / UNTERWASSER SCHEINWERFER NUR UNTERWASSER GETAUCHT ANZUMACHEN / NÃO ACENDER NUNCA O PROJECTOR SE NÃO ESTIVER SUBMERGIDO NA / LAMBA ELEKTRİK ANAHTARI ASLA SUYA MARUZ BIRAKILMAMALIDIR</p>	

- We reserve to change all of the articles or contents of this document, without prior notice.
- Nous nous réservons le droit de modifier totalement ou en partie les caractéristiques de nos articles ou le contenu de ce document sans pré avis.
- Nos reservamos el derecho de cambiar total o parcialmente las características de nuestros artículos o contenido de este documento sin previo aviso.
- Ci riservamo il diritto di cambiare totalmente o parzialmente le caratteristiche tecniche dei nostri prodotti ed il contenuto di questo documento senza nessun preavviso.
- Wir behalten uns das recht vor die eigenschaften unserer Produkte oder den Inhalt dieses Prospektes teilweise oder wollständig, ohne vorherige benachichtigung suandem.
- Reservamo-nos no direito de alterar, total ou parcialmente as características dos nossos artigos ou o conteúdo deste documento sem avusi prévio.
- Firmamız bu belgenin içeriğinde haber vermeksizin değişiklikler yapabilir.