

# Pool Fittings

## Euro Skimmer ABS

### Atecpool Euro Skimmer ABS - Concrete and Liner

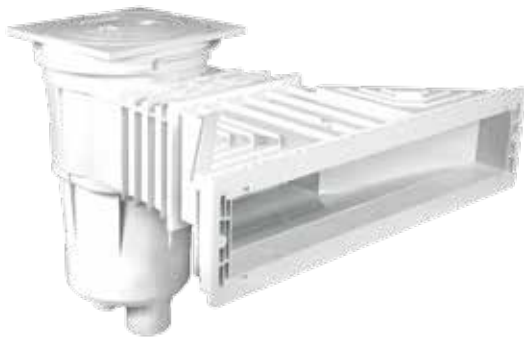
New range of skimmer 175L with recommended flow of 7.5 m<sup>3</sup>/h. UV treated white ABS with top square lid and frame. With flap and flow regulation plug. Supplied with extra strong plastic basket with handle. Skimmer has an option of 3 connection sizes: 1 1/2" internal threaded, 2" threaded and 50mm diameter for gluing.

Overflow connection of 40mm diameter. For optimum results it is recommended to use 1 skimmer per 25m<sup>2</sup> of pool surface area.

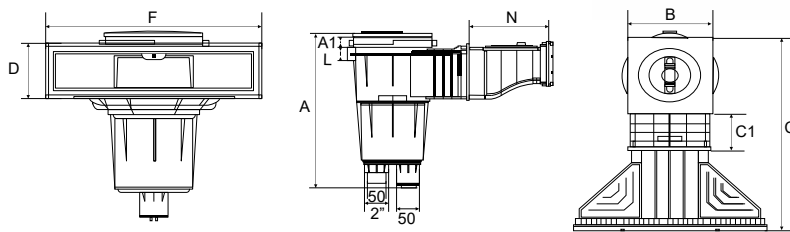
**Concrete:** Euro ABS skimmer w/ Square Frame and round lid for concrete pool.

**Liner:** Euro ABS skimmer w/ Brass Inserts for screws, Square Frame and round lid for liner pool.

Skimmer for concrete



Skimmer for liner



Code	Description	A	A1	B	C	C1	D	F	L	N	Weight	Volume
		(mm)									(kg)	(m <sup>3</sup> )
0159222	Euro Skimmer ABS Concrete	470	44	250	620	120	137	551	32	250	5.3	0.183
0159227	Euro Skimmer ABS Liner	470	44	250	630	120	137	551	32	265	5.8	0.183

## Skimmer AISI 316

### Standard Skimmer AISI 316 - Concrete

Made of stainless steel AISI 316, standard skimmer has internal threaded connection of 2". Recommended Flow is 8 m<sup>3</sup>/hr. Available for concrete installation.

Code	Description	Weight	Volume
		(kg)	(m <sup>3</sup> )
01592010	STD Skimmer AISI 316 Concrete	5.3	0.12

