

| N.O. | Name          |
|------|---------------|
| 1    | Tie-in Nut    |
| 2    | Tie           |
| 3    | O-Ring        |
| 4    | Drainage Plug |
| 5    | O-Ring        |
| 6    | Pump Casing   |

| N.O. | Name                             |
|------|----------------------------------|
| 7    | Filter                           |
| 8    | O-Ring                           |
| 9    | Gland cover of transparent cover |
| 10   | Transparent cover                |
| 11   | Transparent cover handle         |
| 12   | O-Ring                           |
| 13   | O-Ring                           |
| 14   | Difusser                         |
| 15   | Activities Rings                 |
| 16   | Impeller                         |
| 17   | Mechanical Seal                  |
| 18   | Pump Cover                       |
| 19   | Pad                              |
| 20   | Hexagon bolt                     |
| 21   | O-Ring                           |
| 22   | Retaining ring                   |
| 23   | Motor                            |
| 24   | Plastic strips                   |
| 25   | Base                             |

# ATECPOOL EUROMAX PUMP

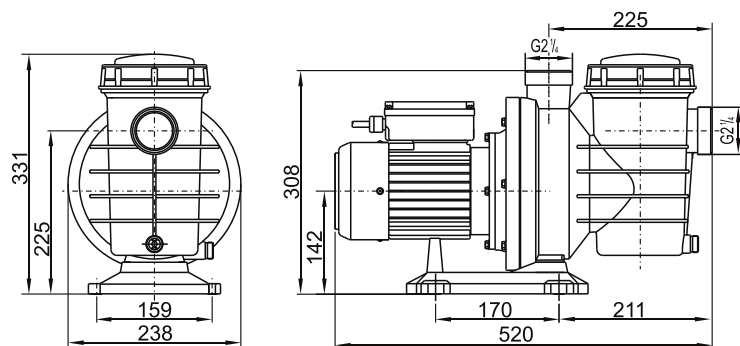
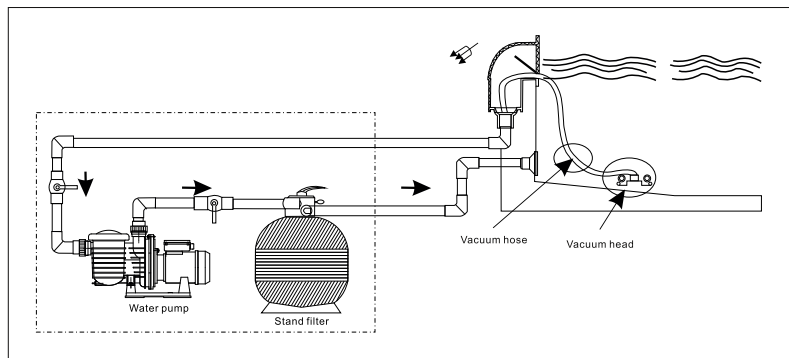
**SELF-PRIMING PUMP**  
SUPER SILENT

ATECPOOL  
**EUROMAX PUMP**

*EUROMAX*



### Installation diagram



| Code   | Power |      | 220-240V / 50Hz |             |    | Manometric Height w.c.m |    |    |    |    |
|--------|-------|------|-----------------|-------------|----|-------------------------|----|----|----|----|
|        | kW    | HP   | A               | Flow (m³/h) |    |                         |    |    |    |    |
|        |       |      |                 | 2           | 6  | 8                       | 10 | 12 | 14 | 16 |
| AS050M | 0,37  | 0,5  | 1,9             | 11          | 5  | -                       | -  | -  | -  | -  |
| AS075M | 0,55  | 0,75 | 2,7             | 15          | 11 | 7                       | 3  | -  | -  | -  |
| AS100M | 0,75  | 1    | 3,8             | -           | 17 | 15                      | 12 | 7  | -  | -  |
| AS150M | 1,1   | 1,5  | 5,8             | -           | 22 | 20                      | 18 | 15 | 12 | 8  |
| AS200M | 1,5   | 2    | 7,0             | -           | 28 | 25                      | 23 | 21 | 18 | 14 |

V / Hz esp: See pump nameplate. Liquid temperature: 4°C ~ 50°C  
 Storage temperature: -10°C ~ +50°C. Relative Air Humidity: 95 % Max.

### ATECPPOOL EUROMAX PUMP THREE PHASE / SELF PRIMING PUMP

### INSTRUCTION MANUAL AS SERIES



### IMPORTANT SAFETY INSTRUCTIONS

When installing and using this electrical equipment, basic safety precautions should always be followed, including the following:

- 1.READ AND FOLLOW ALL INSTRUCTIONS**
- 2.WARNING** Risk of Electrical Shock. Connected only to grounding type receptacle protected by a ground fault interrupter (GFCI). Contact a qualified electrician if you cannot verify that the receptacle is protected by GFCI.
- 3.CAUTION** Means for disconnection must be incorporated in the fixed wiring in accordance with the wiring rules.
- 4.CAUTION** In case the running parts will injure people, don't make the electric pump running before then pipeline have been connected.
- 5.WARNING** To reduce the risk of electrical shock, do not use extension cord to connect unit electric supply; provide a properly located outlet.If the supply cord is damaged, it must be replaced by the manufacturer, its service agent or similarly qualified persons in order to avoid a hazard.
- 6.WARNING** Disconnect the pump from the supply mains before carrying out user maintenance such as cleaning the filter.
- 7.CAUTION** In order to avoid a hazard due to inadvertent resetting of the thermal cut-out, this appliance must not be supplied through an external switching device, such as a timer, or connected to a circuit that is regularly switched on and off by the utility.
- 8.CAUTION** Do not bury cord. Locate cord to minimize abuse from lawnmowers, hedge trimmers, and other equipment.
- 9.**This appliance is not intended for use by persons (including children)with reduced physical, sensory or mental capabilities, orlack of experience and knowledge, unless they have been given supervision or instruction concerning use of the appliance by a person responsible for their safety.
- 10.**Children should be supervised to ensure that they do not play with the appliance.
- 11.THIS APPLIANCE IS ONLY FOR HOUSEHOLD AND INDOOR USE ONLY.**
- 12.THIS APPLIANCE IS ONLY INTENDED FOR SWIMMING POOL.**
- 13.SAVE THESE INSTRUCTIONS**

Type Y attachment - Damaged supply cords to be replaced by the Manufacturer, service agent or similarly qualified person to avoid hazard.



Do not dispose of electrical appliances as unsorted municipal waste, use separate collection facilities. Contact you local government for information regarding the collection systems available.

If electrical appliances are disposed of in landfills or dumps, hazardous substances can leak into the groundwater and get into the food chain, damaging your health and well-being.

#### 1.General

These instructions are for correct installation, and optimum performance of the pumps, so they should be read carefully. These are single-stage centrifugal pumps designed to operate with compact swimming pumps. They are equipped with a total-emptying system to prevent the discharge of residual liquid in each stopping.

These units are designed to operate with clean water at a maximum water temperature of 50°C. Built of top quality materials, they are subjected to strict hydraulic and electrical controls and are carefully verified. Correct installation is ensured by following these instructions and those of the wiring diagram; otherwise, over loads may be produced in the motor. We decline responsibility for any damage caused by not following these instructions.

## 2.Installation

- ! The pumps should be installed horizontally, securing them with screws through the holes in the supports to prevent undesirable noise and vibration. The suction pipe of the pump should be as short as possible.

The rating Label must be visible after installation. Parts containing live parts, except parts supplied with safety extra low voltage <12V, must be inaccessible to a person in the swimming pool.

For Class I devices that do not have a plug, they must be permanently connected to a fixed wiring. Part including electrical components except remote control devices must be located or fixed.

## 3.Pipe Assembly

The suction and discharge pipes should have a diameter equal to or greater than that of the intake tapping of the pump.

Avoid traps as, in addition to affecting efficiency, they impede total overall emptying. The suction and discharge pipes should not rest on the pump in any case.

Seal all the connectors and unions well. Avoid any dripping on the motor, which would unfailingly damage it.

## 4.Electrical connection

The electrical installation should have a multiple separation system with contacts opening at least 3mm. The electrical installation must reference to national wiring rules.

- ⚡ For continued protection against possible electric shock this unit is to be mounted to the base in accordance with the installation instructions.

The pump is to be supplied by an isolating transformer or supplied through a residual current device (RCD) having a rated residual operating current not exceeding 30mA. The supply cable should comply with EMC standards (2). Single-phase motors have built-in thermal protection. The electric connection must be carried out by qualified staff following strictly the "EN60335-2-41" standard. Be sure that the earth cable connection is correctly made.

Be sure that the equipotential connection between the swimming pool and the pump is correctly made. Wires serving as equipotential bonding conductors shall have a cross sectional area between 2.5 and 6mm<sup>2</sup> and shall be equipped with the terminal suitable receptacle.

## 5.Controls Prior to Initial Start-up

- ⚠ Verify that the pump shaft turns freely. Check that the mains voltage and frequency are according to the name plate.

The pump should be equipped with a system to prevent the pump from starting up if a minimum water level is not present.

Check the rotating direction of the motor, which should concur with that indicated on the fan cover.

If the motor does not start up, try to locate the problem in the table of most common faults and their possible solutions that is provided further on.

**THE PUMP SHOULD NEVER OPERATE DRY.**

## 6.Start-up

Start electrically the pump only when the suction and discharge pipes are connected to the corresponding inlets and outlets. Check that there is no obstacle in the pipes. Apply voltage to the motor and suitably adjust the jets to obtain the desired flow.

## 7.Maintenance and clean

- ! Our pumps do not require any special maintenance or programming. If the pump will be idle for a long period of time, it is recommended to disassemble, clean and store it in a dry, well-ventilated place.

Pump can be automatically empty water after correct installation.

When the pump needs to clean (1) Filled with water to the level position of the nozzle, (2) operating 2-3minute,(3) exhausting water off after engine stop.

## 8.Trouble Shooting Guide

| SYMPTOM                   | POSSIBLE CAUSE   | CHECK  |
|---------------------------|------------------|--|
| PUMP DOES NOT TURN        | NO POWER TO PUMP | -incoming power to the pump?<br>-Is circuit breaker on?<br>-Is GFCI operating properly?<br>-Is the air switch plugged in?  |
| PUMP NOT PUMPING PROPERLY | BLOCKAGE OR LEAK | -Jets should be pointed away from the suction inlet so air is not forced into pump suction<br>-Is the in-tub suction inlet blocked or covered?<br>-Is there any debris in the pump housing?<br>-Is there a leak in the piping or the pump? |
|                           | LOW VOLTAGE      | -Is the proper voltage applied to the pump?<br>-Is there an extension cord being used?   |

## Performance curves

