

Salt Water Electrolysis

Automation Enabled Salt Chlorinator

Atecpool Automation Enabled - DAGEN Salt Water Electrolysis & Hydrolysis

Atecpool Automation Enabled Salt Chlorinator use mainly free radicals for disinfection and a small amount of free chlorine for residual disinfection, the unit maintain the salinity (TDS) at the lowest possible level. With a salinity (TDS) of only 800 – 1500 mg/l (0.8 – 1.5kg/ of salt per m³), DAGEN Salt Chlorinator will produce a lot of free radicals and enough chlorine for residual disinfection.

Instead of using only regular salt (NaCl), its recommended to use 25-50% DAGEN Activator of magnesium chloride (MgCl₂).

DAGEN Activator not only raises the salinity to the desired level, it increases the hardness of the water and it also removes phosphates from the water. Phosphates are nutrients for algae and bacteria. Usually only about 1kg of salt (NaCl) and or DAGEN Activator (MgCl₂) per m³ of pool water volume is required. This small amount of minerals also ensures that chloride levels (Cl-) remain below 600ppm, which is the corrosion limit for stainless steel 1.4571 (316).



Swim in drinking water!



Easy Touch
Easy Run



DAGEN Complete Assembly Free Chlorine (PPM)

DAGEN complete assembly includes the following modules: Wi-Fi, free chlorine control, flow detector, temperature module, suction lance, TDS analyser, pH control, pH dosing pump, flocculation pump for APF® (Active Poly Flocc).

Code	Description	chlorine production		max. pool volume
		TDS 1200	TDS 2400	private
ASTATION 15	DAGEN complete assembly 45	7g/hr	15g/hr	45m ³
ASTATION 30	DAGEN complete assembly 90	15g/hr	30g/hr	90m ³
ASTATION 50	DAGEN complete assembly 150	25g/hr	50g/hr	150m ³

DAGEN Complete Assembly RX

DAGEN is also available configured with Redox control instead of free chlorine. DAGEN complete RX includes the following modules: Wi-Fi, redox control, flow detector, temperature module, suction lance, TDS analyser, pH control, pH dosing pump, flocculation pump for APF® (Active Poly Flocc).

Code	Description	chlorine production		max. pool volume
		TDS 1200	TDS 2400	private
ASTATION RX-15	DAGEN complete assembly 45-RX	7g/hr	15g/hr	45m ³
ASTATION RX-30	DAGEN complete assembly 90-RX	15g/hr	30g/hr	90m ³
ASTATION RX-50	DAGEN complete assembly 150-RX	25g/hr	50g/hr	150m ³



All DAGENs are equipped with a Wi-Fi module to monitor and protocol your pool water quality 24/7 on your mobile phone or your computer



High performance hydrolyser Splits water molecules into free radicals for the best disinfection



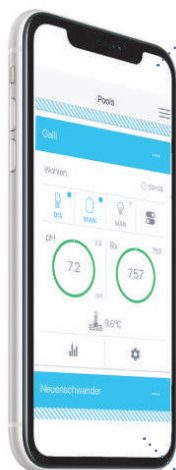
Highly efficient electrodes. Works with only 1g/liter of salt (NaCl) or Magnesium chloride (MgCl₂)



Complete controller for your pool system with integrated Wifi module



Swim in drinking water! Combine DA-GEN with full accessories to turn pool water into drinking water quality

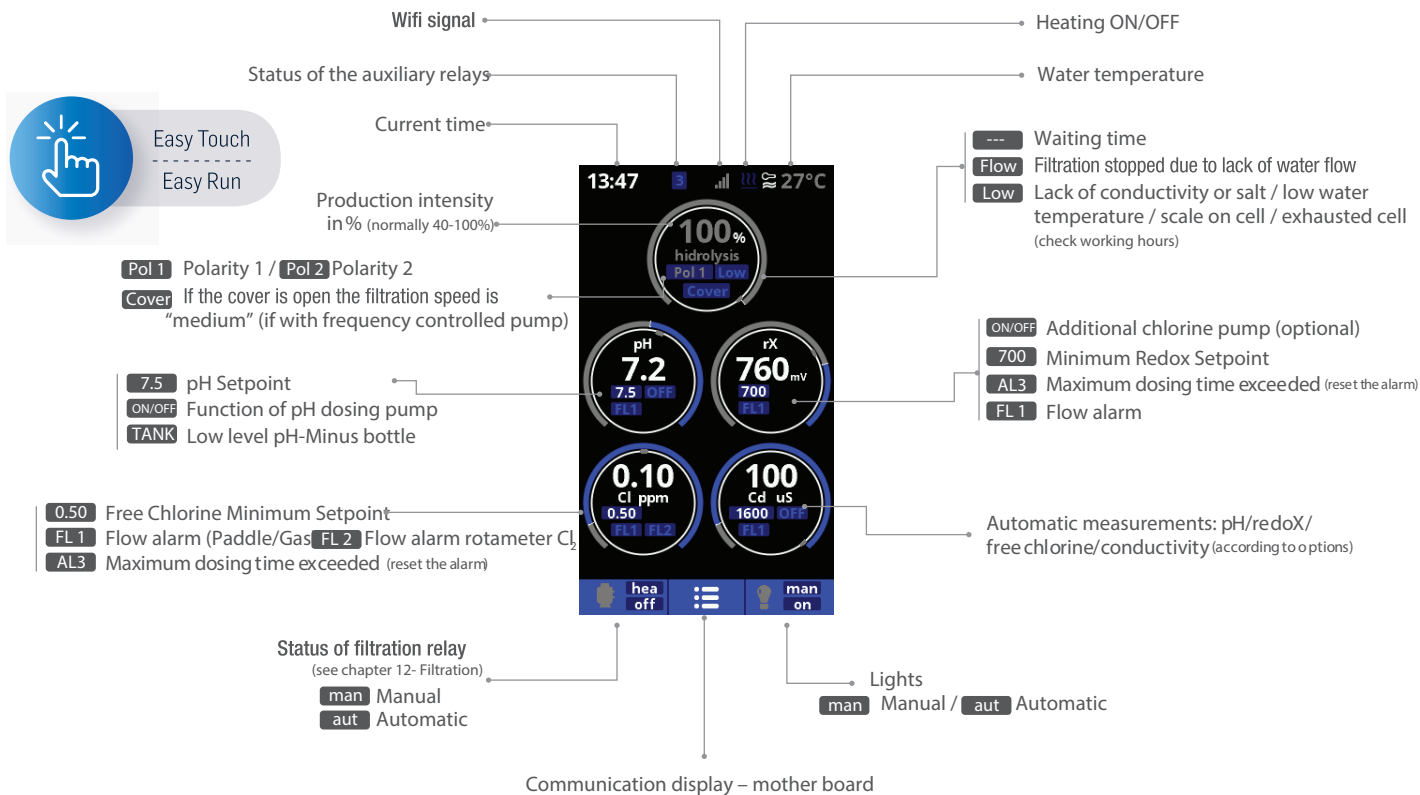


- pH measurement and automatic dosing
- Free chlorine (or Redox) measuring and control
- Temperature sensor
- Pump and backwash control (programmable)
- Automatic dosing of APF® for the best coagulation and flocculation
- Salinity probe (optional)
- Pool lights control
- Automatic dosing of ACO® (optional)

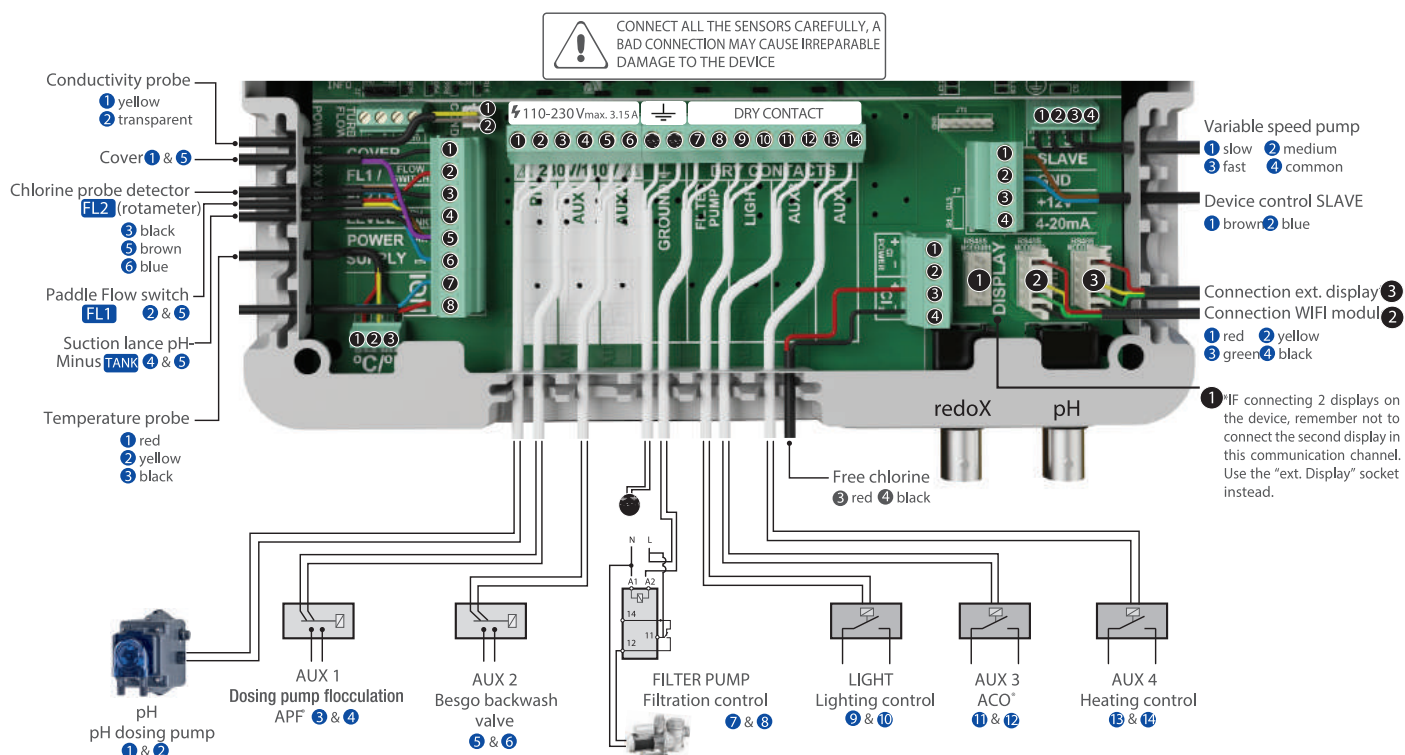
Salt Water Electrolysis Automation Enabled Salt Chlorinator

Atecpool Automation Enabled - DAGEN Salt Water Electrolysis & Hydrolysis

Main Screen



Electrical connections



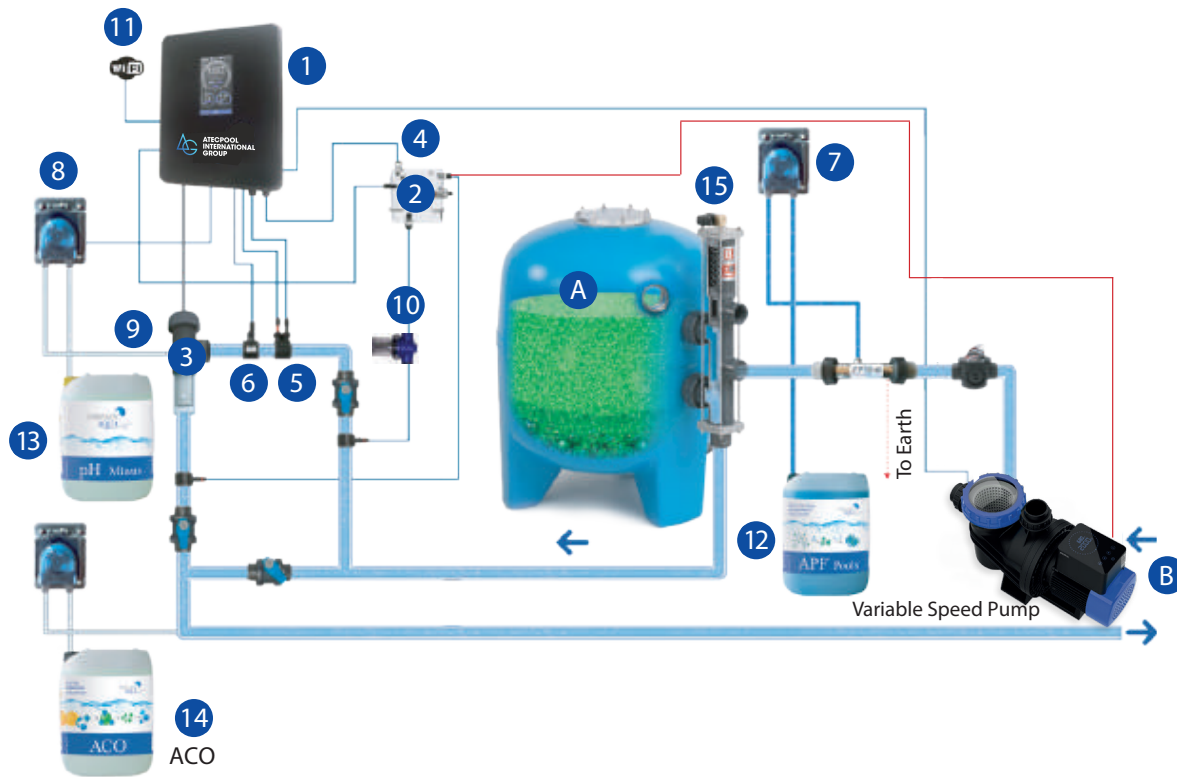
Salt Water Electrolysis

Automation Enabled Salt Chlorinator

Atecpool Automation Enabled - DAGEN Salt Water Electrolysis & Hydrolysis

We recommend to operate the system at a pH of 7.4 and an alkalinity of >100mg/l to have a neutral LSI (Langelier Saturation Index) and to minimize the corrosion risk.

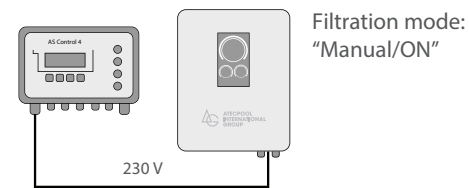
System Installation



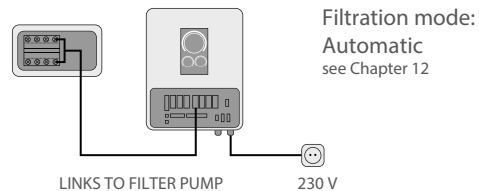
- A Filter with AFM[®]ng
- B Filter Pump

- 1 Control Panel
- 2 Free chlorine cell with rotameter
- 3 Cell (always in vertical position if installed without paddle flow switch 6)
- 4 pH probe
- 5 Redox probe and/or conductivity probe
- 6 Paddle flow switch and temperature module
- 7 APF[®] dosing pump
- 8 pH dosing pump
- 9 pH injection
- 10 Prefilter
- 11 Wifi Module
- 12 APF[®] (not included)
- 13 pH-Minus (not included)
- 14 If Outdoor pool: ACO[®] (not included)
- 15 Besgo valve (not included)

! * Filtration control by external timer



! * Filtration control by internal timer



Product	Description	Max Consumption
ASTATION 15	DAGEN complete assembly 45	125W
ASTATION 30	DAGEN complete assembly 90	180W
ASTATION 50	DAGEN complete assembly 150	175W