

Atecpool Prefilters

INOX Series





Before starting the installation process, you should read this operation manual carefully. Installation must be in accordance with local regulations.

1 DESCRIPTION

The prefilter element is the equipment that performs filtering of the suspended solids. Placed on the suction of the recirculation pumps, prevents impellers being blocked. Our pre-filters are designed to work preferably in private and public pools, with clean waters lightly treated.

2 RESPONSIBILITY

All equipment supplied by Atecpool International Espana are adequately protected to avoid accidents, but in any case all safety recommendations on the equipment, joined documents and especially local regulations that apply must be followed.

It is the sole responsibility of the installer / user the particular risks that could exist in each facility and not to allow the connection of any equipment without adequate protections.

3 GENERAL INSTRUCTIONS FOR USERS SAFETY

The above safety recommendations are based on our experience and on a normal use of the equipment.

The safety of the equipments supplied can only be guaranteed if their use corresponds to the one indicated. It is mandatory to follow the Safety Standards in force in each country.

Be sure that the equipments had been correctly selected according to the application for which it was intended and that their status, installation, start up and subsequent use are correct.



All installation, repair and maintenance should always be with done with the equipment switched off the mains



While the equipment is in operation cannot be moved or it position being corrected. These operations should always be at a standstill.

Close check the condition of the installation. If its status seem not safe, the equipment must be stopped and proceed to repair. The necessary spare parts will always be original from the manufacturer or the ones recommended by him. The use of other spare parts from any other source, or original spare parts modified by third parties is not permitted and exempt the manufacturer or supplier of all their responsibilities.

4 TRANSPORT

The manufacturer supplies the equipment protected with the proper packaging, so that when being stored or transported will not suffer any damage that prevent for a proper installation and / or operation.

The user, upon receipt of the equipment, will check the state of the outer packaging. If there are evidence or signs of major damage this must be stated formally to whom is delivering it. Also check the state of content; whether there is any damage that probably would prevent proper operation, it shall, also formally, be said to the provider within 8 days from receipt.

5 INSTALLATION AND SETUP

5.1 Location

Access to the equipment must be restricted so that anyone cannot access it un intentionally. Security elements that prevent children access and others non authorised people should be installed. Unauthorised people and



specially children they should never stay in the place while installation works.

It is important to plan enough space for the pre-filter basket easily being removed vertically.

It is recommended to insert elastic sleeves which absorb the pump vibration and the expansions of the installation pipes due to dilatation on the suction side of the prefilter.

6 MAINTENANCE / STORAGE

If the prefilter is attached to a pump or other equipment connected to the power supply, be sure to disconnect it from the mains before any manipulation.

Periodically check and clean the pre-filter basket. This must be done with the pump stopped. To extract the prefilter basket, place both the suction and discharge valves in its "closed" position. Release the pre-filter cover, remove the basket and clean it under a tap. Avoid hitting the prefilter basket to prevent any damage.

To replace the basket, insert it gently into its original position. Place the gasket in the lid and greased with Vaseline. Do not put any chemical products inside the basket.

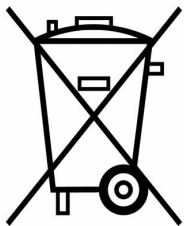
If the pump is shut down for long periods of time, or if there is danger of frost, the prefilter should be emptied through the drain plug. Before re-starting the pump, replace the plug with its seal and refill prefilter with water.

To apply for any spare parts, you should specify the name of the spare part and the position number according to the exploded drawing and the data existing in the nameplate on the motor.

The technical data given below is approximate.

Our pumps and equipment are subject to a process of continuous improvement and data are continually updated on our WEB. Be advised to consult the latest available information at www.atecpoolme.com

7 RECYCLING



Applies when the pre-filter is mounted together with a DN series pump:

In compliance with the Directive **2012/19/EU** for waste electrical and electronic equipment (WEEE), the products marked with this symbol must be deposited at the local recycling center in each region for their selective collection, optimize the recycling of the components and materials and, reduce the impact on human health and the environment.

The consumer should contact the local authority or the seller to inquire about the proper disposal of their appliance.

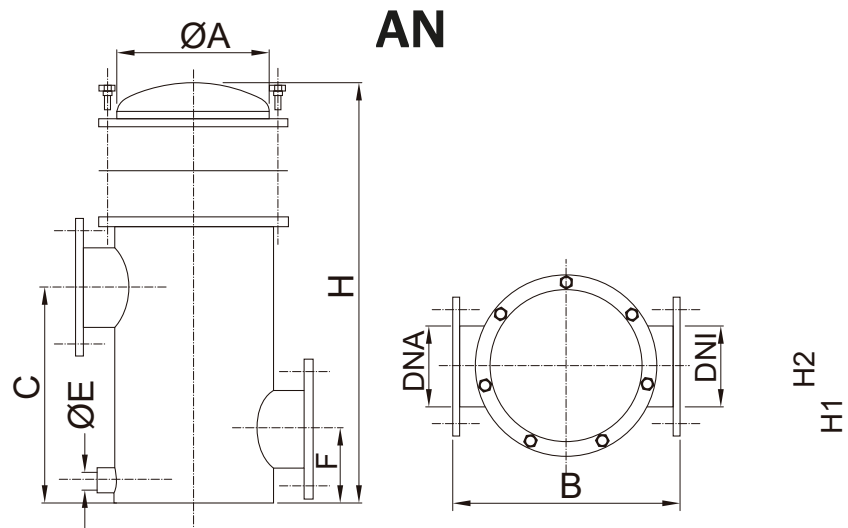
8 WARRANTY

Atecpool International Espana will replace or repair free of charge in any **AGREED TECHNICAL SERVICES**, for a period of 24 months from the date the product left our warehouse, any product that may show manufacturing defects. This warranty will be reduced to 12 months for pumps continuous or permanent service.

In accordance with current legislation, Atecpool is not liable for damages caused to our equipments due to improper repair or if it's parts have been replaced by non-original or manufacturer approved parts or pieces. Atecpool is not liable if repairs are not carried out by our Agreed Technical Services.

Atecpool International Espana is considered exempt from any liability for any direct or indirect that may occur to the equipment due to faulty installation, lack of maintenance, negligent use, manipulation by unauthorized personnel Atecpool International Espana is considered exempt from any liability due to electrical overload.

In any case, the responsibility for Atecpool International Espana is limited to the replacement of the defective part in the shortest possible time without being in any way liable for other responsibilities or compensation.



Code	Dimensions											
	A	B	C	D	F	H	H1	H2	DNA	DNI	Vol Lts	kg
AN80-80	273	423	260	-	1/2"	110	400	-	80	80	28	23
AN100-100	320	460	390	-	3/4"	120	570	-	100	100	38	45
AN125-125	400	600	475	-	3/4"	135	700	-	125	125	48	87
AN150-150	400	600	458	-	1"	152	700	-	150	150	52	87
AN200-200	400	600	430	-	1"	180	800	-	200	200	58	100
AN-250-250	500	700	600	-	1"	208	900	-	250	250	85	176