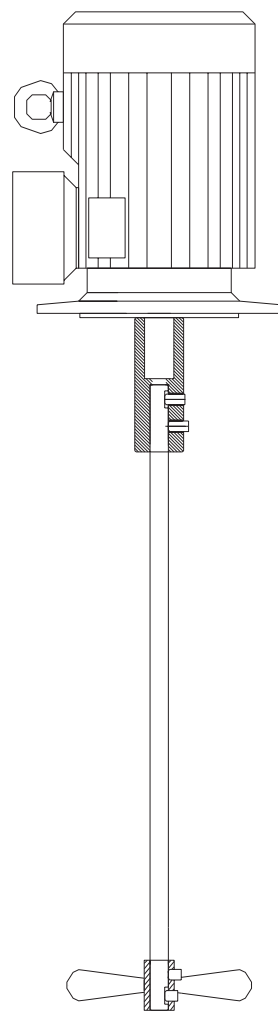




ATECPOOL

Operating Instructions Atecpool Electrical Mixers



Completely read through these operating instructions prior to placing the system into operation and
keep the instructions in a safe place!
The operator shall be liable for any damage caused by installation or operating errors!

About this Product / Safety Instructions

1 About this Product

The electric stirrers are used for mixing polymer solutions.

The parts of the stirrers that come in contact with the medium are made of stainless steel.

The viscosity of the medium can be up to 1500 mPas.

2 Safety Instructions

2.1 Identification of Safety Information

Keywords are used in these operating instructions for the different danger or hazard severity levels:

WARNING

Denotes a possibly dangerous or hazardous situation. If this situation is not avoided, fatal or serious injury may ensue.

CAUTION

Denotes a possibly dangerous or hazardous situation. If this situation is not avoided, minor injuries or damage may ensue.

These operating instructions use the following warnings for different types of danger:



Warning of a dangerous/hazardous location



Warning of unexpected start-up



Warning of dangerous electrical voltage



Warning of hand injuries

2.2 Use for Intended Purpose

Only use the stirrers as described in the operating instruction.

Have the stirrers installed and connected only by qualified personnel.

You must observe the information provided in the operating instructions at the various phases in the life of the system!

Storage and Transportation / Design

3 Storage and Transportation

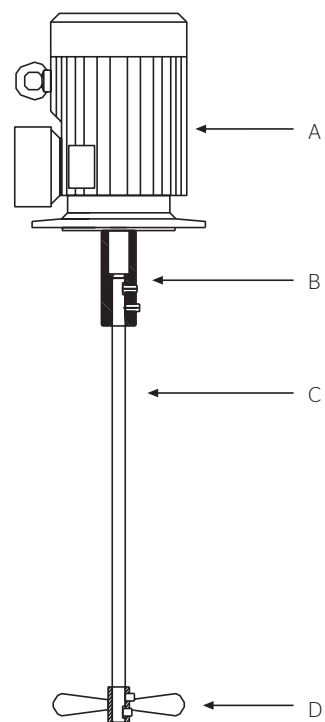
Ambient conditions for storage and transportation

Temperature: -10 °C to 50 °C

Humidity: Max. 95 % relative humidity, no condensation

4 Design

The stirrers consist of the following components:



- A) Electric motor
- B) Coupling
- C) Stirrer shaft
- D) Agitator

Fig. 1: Design layout of a stirrer with 1 agitator.

Mounting and Installation

5 Mounting and Installation

5.1 Mounting

**WARNING**

Risk of injury!

The agitators can cause serious injuries if operated while the stirrers are not yet installed!
The stirrers must not be connected to the power supply before they are installed!

**CAUTION**

- ▶ If it is necessary to remove an old stirrer first, then proceed as described in Section 6 "Repairs".
- ▶ Compare the data on the type identification plate with the data on the delivery note.
- ▶ Detach the stirrer shaft from the coupling.
- ▶ Fit the motor flange on the prepared tank flange and securely bolt together.
- ▶ Open the cover to the inspection opening of the corresponding chamber.
- ▶ Bolt the stirrer shaft to the coupling.

5.2 Installation

**CAUTION**

Danger of electric shock!

- Only qualified electricians are permitted to connect the stirrers to the power supply!
- Connect the stirrers only when the system is disconnected from the power supply and correspondingly secured to prevent them being switched on!
- Only connect the motor to the mains voltage and frequency as specified on the type identification plate.

**WARNING**

Risk of injury!

The agitators can cause serious injuries if operated while the stirrers are not yet installed!
The stirrers must not be connected to the power supply before they are installed!

**CAUTION**

The stirrer motors can be damaged if subjected to thermal overload!

Provide corresponding motor protection devices (e.g. motor circuit breaker with thermal overcurrent tripping device) to protect the motor from overload!
Fuses will not sufficiently protect the motor!

- ▶ Connect the motor to the mains voltage and frequency as specified on the type identification plate.
- ▶ Connect the motor as shown in the terminal connection diagram.
- ▶ Protect the motor with a corresponding motor protection device.
- ▶ Briefly switch on the system to check the direction of rotation of the motor (arrow on motor housing).
If the motor turns in the wrong direction, immediately disconnect the system from the power supply and connect the motor correctly.
- ▶ Now close the cover to the inspection opening and secure with the screw!

Repairs / Maintenance

6 Repairs

**WARNING**

Risk of injury to arms and hands!

The rotating agitators can cause serious injuries!

- First set the master switch to OFF and secure to prevent it being switched on again. Remove the screw-secured cover to an inspection opening in order to reach into a tank chamber!
- The stirrers should be connected to the power supply only when installed in position!

**WARNING**

Sudden start-up without warning!

The stirrers (together with their agitators!) can suddenly start up without warning as long as they are connected to the power supply via the system+ even if a fault is signalled or with the system in stop mode (Start/Stop button)!

To remove the stirrer for repair:

- ▶ Set the master switch to OFF and secure it to prevent it being switched on again.
- ▶ Completely disconnect the motor from the power supply.
- ▶ Remove the flange bolts.
- ▶ Remove the cover to the corresponding inspection opening.
- ▶ Raise the stirrer a little and release the coupling.
- ▶ The motor can be removed by pulling upwards.
- ▶ The stirrer shaft with the agitator can be removed by passing it through the inspection opening.
- ▶ On completion of repairs, reinstall the stirrer in the reverse order.
- ▶ Now close the cover to the inspection opening and secure with the screw!

7 Maintenance

Regular

Regularly blow out the motor fan and the cooling fins with clean, oil-free compressed air.

The stirrers are otherwise maintenance-free.



Technical Data

8 Technical Data

8.1 Atecpool Electrical Mixer 1400 rpm / 4 Pole

Electrical fast mixers,1400rpm. Stainless Steel shaft and propeller AISI with PP Coating, flange PVC (AISI Shaft on request), Seals V type.Propeller marine type.

Code	Shaft Length	Power Supply	Motor Power / rpm
	(mm)		
MIX/FE 3-6	600	230/400V - 3 phase - 50Hz	0,18kW / 4 pole / 1400 rpm
MIX/FE 1-6	600	230V - 1 phase - 50Hz	0,18kW / 4 pole / 1400 rpm
MIX/FE 3-8	800	230/400V - 3 phase - 50Hz	0,18kW / 4 pole / 1400 rpm
MIX/FE 1-8	800	230V - 1 phase - 50Hz	0,18kW / 4 pole / 1400 rpm

8.2 Atecpool Electrical Mixer 900 rpm / 4-6-8 Poles

Electrical mixers with rigid coupling by motors 4-6-8 poles with support bearing,oil, Seal. The mixers are suitable for mixing or dissolving chemical products with medium viscosity into tanks.Standard shaft, marine, propeller,35 ° blades in AISI 304

Code	Shaft Length	Power Supply	Motor Power / rpm
	(mm)		
MIX/FMV 3-6	600	230/400V - 3 phase - 50Hz	0,18kW / 6 pole / 900 rpm
MIX/FMV 3-8	800	230/400V - 3 phase - 50Hz	0,37kW / 6 pole / 900 rpm
MIX/FMV 3-9	900	230/400V - 3 phase - 50Hz	0,55kW / 6 pole / 900 rpm
MIX/FMV 3-10	1000	230/400V - 3 phase - 50Hz	0,75kW / 6 pole / 900 rpm
MIX/FMV 3-12	1250	230/400V - 3 phase - 50Hz	1,1kW / 6 pole / 900 rpm
MIX/FMV 3-15	1500	230/400V - 3 phase - 50Hz	1,5kW / 6 pole / 900 rpm