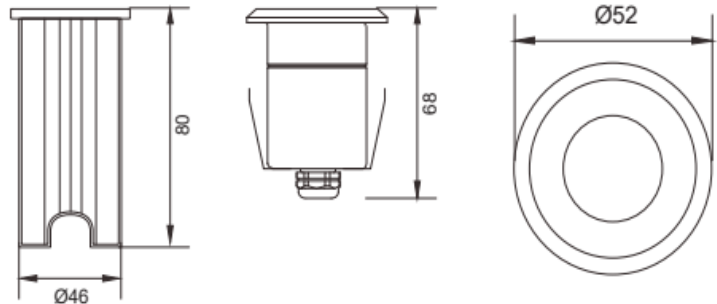


# High Power LED Recessed MiNi Underwater Light IP68

## Instruction & Installation Manual

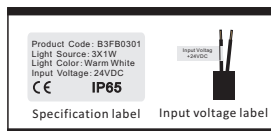


### Applicable Models

ATZ1074 WW  
ATZ 1074 CW

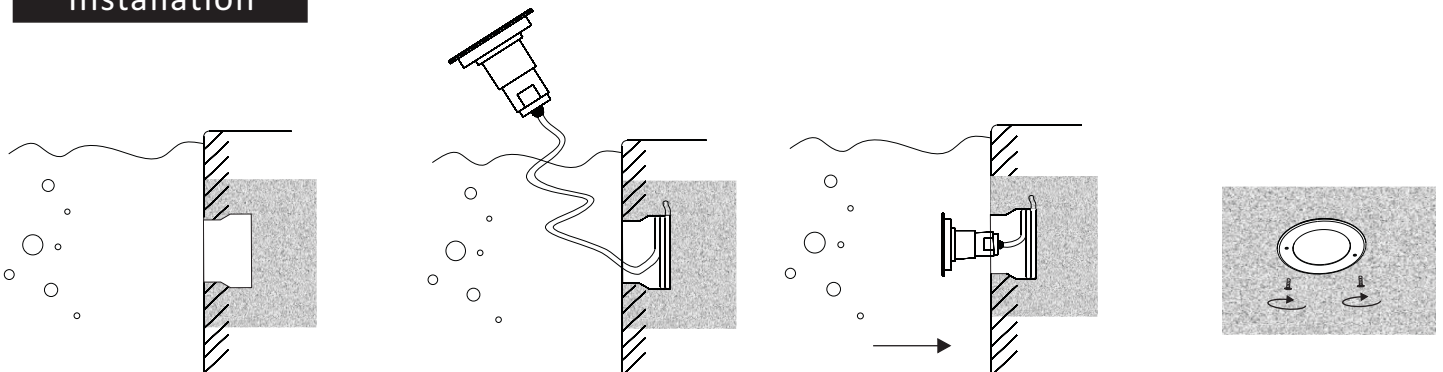
### Description

- This product is a high power LED mini underwater light, for pool, swimming pool use, the power consumption of one light is under 20W. White, warm white, RGB3in1 is available light color. \*RGB color change need an extra RGB controller.
- The standard color temperature of white is in range 5500-6500K; warm white is in range 2700-3200K
- The standard input voltage is 24VDC (low voltage), when you install the product, please check the data label on the product and on the wire. \*Refer to the photo.



- When using low voltage light fixture, please prepare powerful power supply or 24VDC output transformer. Total demand of power is according to total power consumption + total power of cable impedance consumption. When installation, always work with technical people who have license or install by technical people.
- The main material of this product is stainless steel, due to the thermal conductivity is very bad, when using this light must put into water 100% then light up.
- This is IP68 grade product, so it is possible working underwater for long time, but the depth request not over 1m.
- Applicable environment temperature:  $-20^{\circ}\text{C} < \text{fixture} < +40^{\circ}\text{C}$

### Installation



1. Put the sleeve into the wall, the top side need on same level with wall surface, cable need to go through the sleeve and request 30cm gravel drainage layer

2. Connect the wire and light up. \*Keep enough cable length for maintain.

3. Put the light fixture into sleeve without tilt.

4. Fix the fixture tight with sleeve by screw on two side of cover.