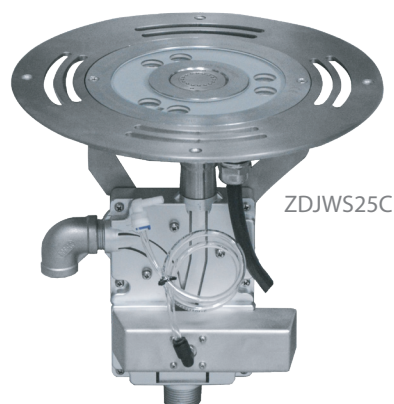


Rainbow Fountain Deck Jet with WaterSwitch



ZDJWS25C



ZDJWS35S

Circular / Square Deck Jets with WaterSwitch

Flush mounted Deck Jet Nozzle in two shapes, Circular and Square. Nozzle assembly with 360 deg illuminating LED includes programmable (on-off) Waterswitch spray effect. LED-Nozzle assembly suitable for dry deck fountain where there is no visible water body but sprayed from nozzles and drained through grate cover surrounding the nozzle assembly.

Atecpool Deck Jet + WaterSwitch Specifications

- Shape: Circular or Square suspended Deck Jets with WaterSwitch
- Deck Jet Construction: AISI 316 Stainless Steel
- WaterSwitch Construction: ABS with AISI 316 stainless steel mount
- Central Interchangeable Flush Nozzle: Column Nozzle/Angle Ring Nozzle
- LED Light Type: Three Types
Type 1: AYP36WW/CW (3000K/ 6000K)
Type 2: AYP36RGB (RGB 3 in 1)
Type 3: DMX182RGB (RGB 4 in 1)
- Drain: Pre-attached to nozzle assembly.
- Fixing: Designed for mount and anchored on paver.
- LED light cable: 3m STW 18AWG

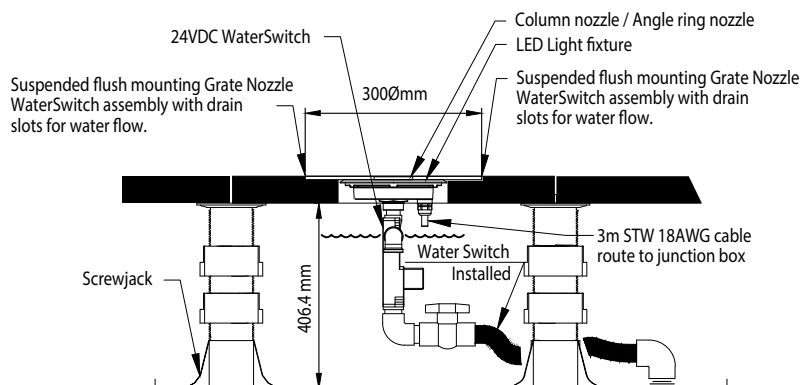
Deck Jet with WaterSwitch Column Nozzle ZDJWS25C / ZDJWS35S

		SPRAY HEIGHT (m)									
Code	BSP. connection	Flow/Head	1	1,5	2	2,5	3	3,5	4	4,5	5
ZDJWS25C or ZDJWS35S	1"	LPM	33	40	46	50	56	61	69	72	75
		Head in mtr	6	8,5	11	13,5	14,5	18,5	23	25	26,5

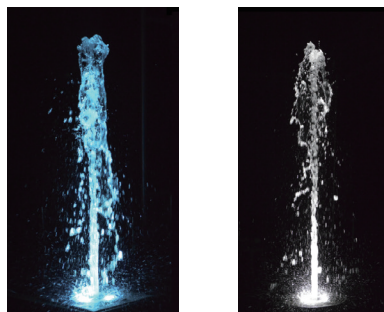
Deck Jet with WaterSwitch Angle Ring Nozzle ZDJWS25C / ZDJWS35S

		SPRAY HEIGHT (m)						
Code	BSP. connection	Flow/Head	0,5	1	1,5	2	2,5	3
ZDJWS25C or ZDJWS35S	1"	LPM	25	37	50	55	63	80
		Head in mtr	4	7	12	14	16	25

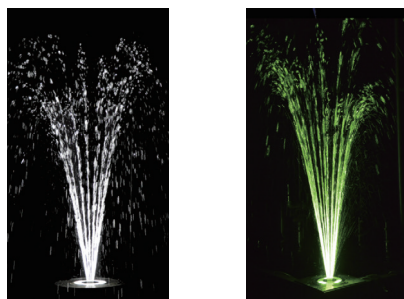
Atecpool installation diagram: Deck Jet + Water Switch



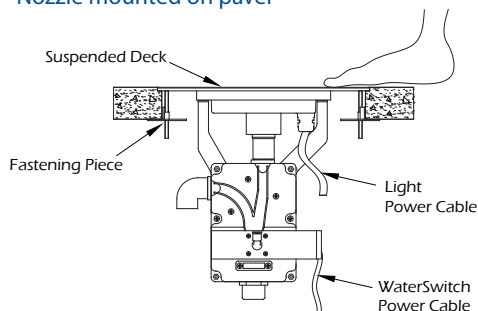
Performance of Deck Jet (Column Nozzle)



Performance of Deck Jet (Angle Ring Nozzle)



Nozzle mounted on paver



Dimensions

