

Atecpool FDN-3000

Centrifugal pump

Atecpool FDN-3000



Materials Cast Iron Version

Pump housing: Cast Iron

Impeller: Bronze / Aluminium

Screws: Stainless Steel AISI 316

Shaft: Stainless Steel AISI 316L

Mechanical Seal: Carbon + Resin - Ceramics

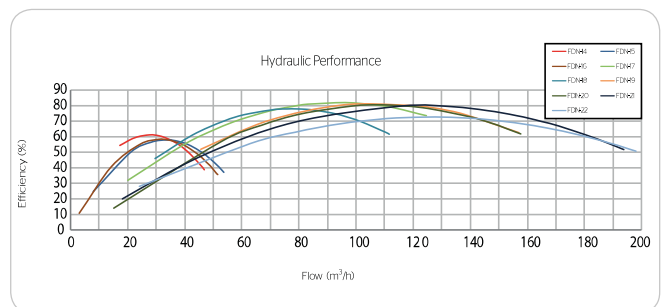
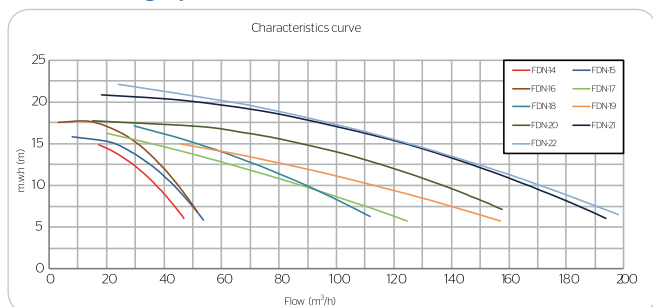
Atecpool FDN-3000 is a pool pump designed to offer the highest performance for the filtration and purification of water in commercial pools. All parts in contact with water are treated by long lasting cataphoresis. This treatment prevents the formation of troublesome oxides on cast iron pumps as the paint chemically combines with all iron molecules located on the surface of the workpiece. The cataphoresis significantly prolongs the life of cast iron and is one of the best anticorrosive and antioxidant treatments existing on the market today. Manufactured fully in bronze on request for use with sea water.

Atecpool FDN-3000 Specifications

- High efficiency motor class IE3 according to regulation ECn° 640/2009
- Waterproof: IP55
- Flow rate: up to 190 m³/h
- Voltage: 230/400V or 400/690V
- Motor: 50Hz / 2900 rpm
- Available also at 60Hz
- Available in bronze for operation with salt chlorinators and sea water.

Code	Power		III 230/400V		III 400/690V		Manometric height w.c.m							Connections		Weight Kg			
	HP	KW	A	A	A	A	6	8	10	12	14	16	18	20	22		DNA IN	DNI OUT	
FDN-14	BR-14	2	1,5	5,3	3,1	-	-	47	42	38	31	23	-	-	-	-	80	3" BSP	53
FDN-15	BR-15	3	2,2	7,6	4,3	-	-	54	48	44	38	28	8	-	-	-	80	3" BSP	55
FDN-16	BR-16	4	3	9,9	5,7	-	-	61	59	52	49	42	31	9	-	-	80	3" BSP	60
FDN-17	BR-17	4	3	9,9	5,7	-	-	125	108	83	70	51	20	-	-	-	100	100	68
FDN-18	BR-18	5,5	4	13,0	7,4	7,4	4,3	112	102	89	76	61	43	-	-	-	100	100	77
FDN-19	BR-19	5,5	4	13,0	7,4	7,4	4,3	157	130	123	89	64	-	-	-	-	125	100	90
FDN-20	BR-20	7,5	5,5	17,6	10,1	10,1	5,9	158	149	145	123	99	67	15	-	-	125	100	99
FDN-21	BR-21	10	7,5	-	-	13,5	7,8	194	180	167	151	134	113	88	51	-	125	100	104
FDN-22	BR-22	12,5	9,2	-	-	16,6	9,6	199	187	171	154	135	114	91	63	27	125	100	113

Performance graph



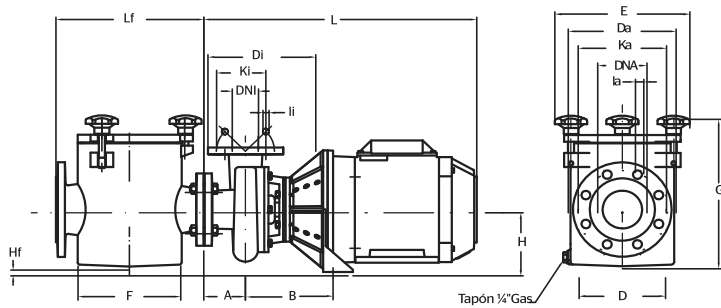
Atecpool FDN-3000

Centrifugal pump

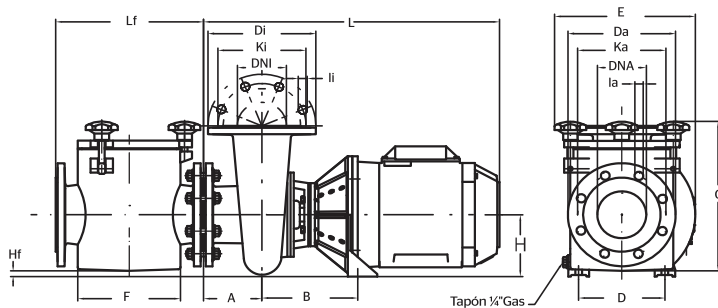
Atecpool FDN-3000

Code		Dimensions											Intake				Output			
		A	B	C	D	E	F	G	H	Hf	L	Lf	Da	Ka	la	N°T	Di	Ki	li	N°T
FDN-14	BR-14	82	172	-	140	271	210	319	132	12	491	300	200	160	19	8	152	125	14	4
FDN-15	BR-15	82	172	-	140	271	210	319	132	12	491	300	200	160	19	8	152	125	14	4
FDN-16	BR-16	82	182	-	190	271	210	319	132	-	533	300	200	160	19	8	152	125	14	4
FDN-17	BR-17	120	196	-	190	288	210	320	132	-	584	300	220	180	19	8	220	180	19	8
FDN-18	BR-18	120	196	-	190	288	210	320	132	-	606	300	220	180	19	8	220	180	19	8
FDN-19	BR-19	120	196	-	190	275	250	347	132	-	606	347	250	210	19	8	220	180	19	8
FDN-20	BR-20	120	292	140	216	312	250	360	132	-	724	347	250	210	19	8	220	180	19	8
FDN-21	BR-21	120	292	140	216	312	250	360	132	-	724	347	250	210	19	8	220	180	19	8
FDN-22	BR-22	120	292	140	216	312	250	360	132	-	724	347	250	210	19	8	220	180	19	8

FDN-14/15/16



FDN-17/18/19



FDN-20/21/22

