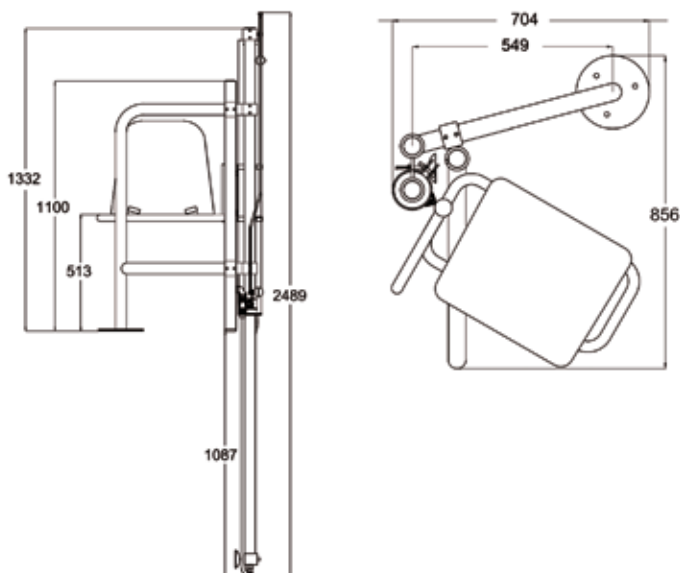


Pool Lifts

Hydraulic Lift

Composed of a tubular structure in stainless steel (AISI 316) anchored to the ground by three metallic anchors that hold it and three points of support, two located on the outside of the pool and a third located in the lower part of the elevator that is supported on the wall of the pool. Two commands available for actuation. One located at the top of the guide axis that allows the user to actuate it from outside of the water and other in the fastening axis, which allows the user to actuate from inside the pool. Hydraulic lift designed to adapt itself to the majority of the collective swimming pools on the market. Simple fixture (anchors screwed on the pavement and points of support).



Specifications

- Maximum lifting capacity: 120 kg
- Rotation angle: 150°
- Structure and piston: AISI 316L
- Tubular structure: Ø48.3 x 2 mm
- Water pressure: > 3.5 to 5 bar
- Seat: Synthetic material suitable for outdoors

Code	Description	Volume (m ³)	Weight (kg)
11000500	Hydraulic lift	0.659	40.5

Battery Operated Pool Lift

Designed for installation on the decks of in-ground and aboveground pools/spas. The lift features a 160Kg weight capacity while maintaining a sleek design. ADA compliant. Ideal for use in hotels spas, and private pools.



Specifications

- 160kg operating load capacity
- Independent third party usage
- Setback range 37 to 48 cm
- Flip-up armrest
- All stainless steel construction
- Adjustable footrest & lap belt
- Water resistant handset
- Rechargeable battery with wall mounted charger

Colors

Available in a variety of accent colors. Blue is the standard color.



Code	Description	Weight (kg)
411AT1	Battery Operated Pool Lift / No Anchors	80
04CA	Anchor Kit Standard 4 Points	8