

*“Adding light
to your life”*



MANUAL

Lumina Mini Spa
LED Panel Lighting
ABS



atecpool.com

ATECPOOL
INTERNACIONAL ESPAÑA

“Adding light to your life”

Lumina Mini Spa LED Panel Lighting ABS

Instructions for use



Important

This manual includes essential information on the safety measures to be implemented for installation and start-up. Therefore, the installer, as well as the user, must read these instructions before beginning installation and start-up.

Lumina Mini Spa LED Panel Lighting - ABS

Technical Specifications

Standard input voltage: 12V AC/DC

Code: 20224 RGB, 20224 CW, 20224 WW, 20224 B

Code: 20224S RGB, 20224S CW, 20224S WW, 20224S B (with SS face plate)

Standard input watt:

RGB: 6W / 12V

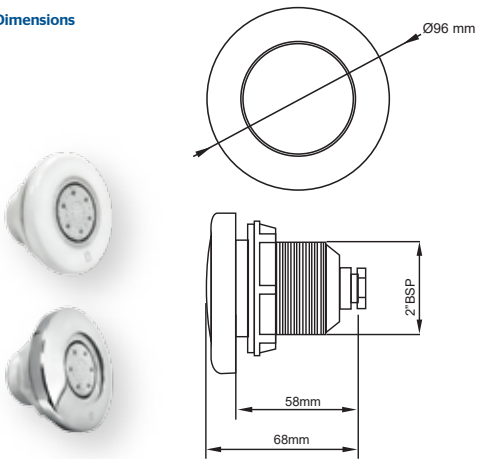
Single Color: 7W / 12V

CW / WW / B

Life span: 60,000hours

16 programs with Synchronization capability using LED Modulator

Dimensions



Lumina Mini Spa LED Panel Lighting S.S. 316

Technical Specifications

Standard input voltage: 12V AC/DC

Code: 20444RGB, 20444 CW, 20444 WW, 20444 B

Standard input watt:

RGB: 6W / 12V

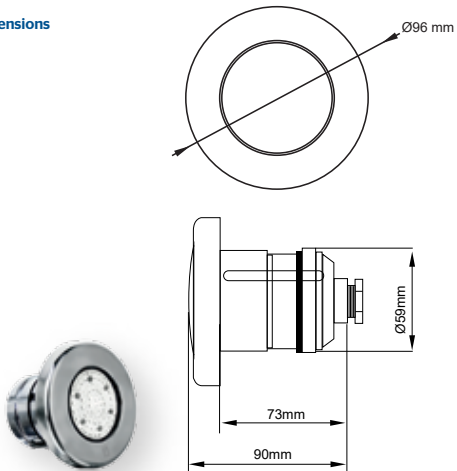
Single Color: 7W / 12V

CW / WW / B

Life span: 60,000hours

16 programs with Synchronization capability using LED Modulator

Dimensions



Packing Contents

The following items are included inside the box:

Lamp Assembly x 1

Plastic Nut x 1

Rubber Ring x 3

Instruction & Use

This is a high technology electronic controlled light based on LED's in three colors: red, green and blue. These three base colors together can produce many other colors to create the perfect atmosphere in the pool. Any of the 16 pre-programmed effects can be selected with the on/off switch of your pool lights. The LED's can also be warm white only or natural white only. The LED's are driven by constant current. The technology of True PWM is adopted on the lights. High temperature protection makes the LED's be protected while the internal temperature reaches a high level. All these technologies guarantee long working life of the LED lamps. The lights must be used / operated while fully **submerged underwater only**.

- This lamp is designed to be fixed in new pools and/or pools with existing surface mounted lamps that need replacement.
- This lamp is designed to be used only once. Should it become defective, repair is impossible, and replacement is necessary.
- The manufacturer is not responsible in any circumstances for assembly, installation or start-up of any electric components which have been inserted or handled at locations other than its own premises.

16 Programs of RGB LED Bulbs

1. White: sun white
2. Red: one color red
3. Green: one color green
4. Blue: one color blue
5. Green-blue: fixed color green/blue
6. Red-green: fixed color red/green
7. Blue-red: fixed color blue-red
8. Evening sea: slow animation red/blue
9. Evening rivers: slow animation red/green

10. Riviera: slow animation green/blue
11. White: neutral white
12. Rainbow: slow animation blue/red/green
13. River of colors: program 12, followed by program 15
14. Disco: fast animation
15. Four seasons: slow animation in red/blue/green/violet
16. Party: fast animation

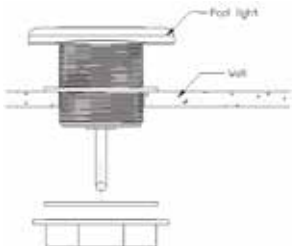
Installation

All lamps should be placed on the wall of the pool below the water surface, in areas that are easily accessible from the upper edge of the pool.

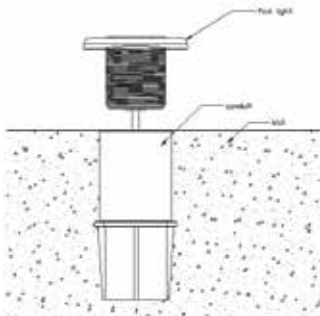
- All lamps should be installed on the same transformer and switch.
- The lights can be installed for both concrete pools and fiber pools.
- The lights fit into standard pool 2" fittings.
- The lamp is supplied with cable of 2m, 4m, 6m, 10m, 16m or 20m according to the need of the user, making it possible to install multiple lamps connected to a single junction box.

The light can be fixed on concrete or stone wall pools, thin wall pools, fiberglass wall pools, metal wall pools, or wooden wall pools with liner. It can be threaded into the 2" female-thread conduit/pipe

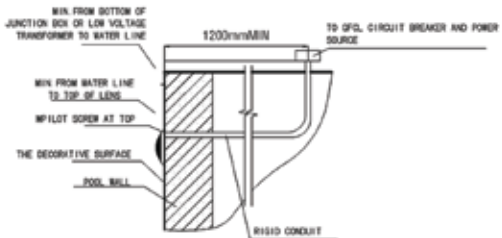
For thin wall pools, polyester, fiberglass, metal or wooden wall pools with liner



For concrete or stone wall pools, liner and mosaic:
Thread the light into the interred conduit



The below drawing shows how to connect the cable from the lamp to the power source



Installation Diagram

Maintenance & Replacement

There is no maintenance required for this lamp - it is designed to be used only once, meaning that replacement is necessary if it becomes defective (repairing is impossible). Before any handling, ensure that there is NO voltage supplied to the lamp. To replace, unfasten the lamp from the bracket. Ensure the new lamp is of the same model and characteristics as the one being replaced.

Start-up

- The lamp should only be operated underwater while secured to the vertical walls of the pool. **Never switch on the lamp if it is not submerged underwater.**
- In case of colored lamps, 16 pre-programmed effects and combinations may be selected using the on/off switch of your pool lights. Just switch off and switch on within 2 seconds.
- If the light is powered off for more than 20 seconds, it will keep the latest program when it is turned on again.
- To achieve synchronization, confirm all lamps are installed correctly on the same switch, after they are powered off for more than 20 seconds, switch on and switch off continuously three times, and then finally turn them on again. They will all go to program 5. Now you can select a program for them by switching off and on within 8 seconds.
- Alternatively, we recommend using our optional controller (with in-built safety transformer) which comes with (a) remote control for easy operation and (b) auxiliary connection of 24V for operation of any other electrical item.

Safety Warnings

The persons who are in charge of installation should have the required qualifications for this type of work.

- Avoid making contact with the electric voltage.
- Comply with the current standards regarding accident prevention.
- IEC 364-7-702 standards must be observed: WIRING IN BUILDINGS, SPECIAL WIRING, SWIMMING POOLS.
- Replacement must be performed with the lamp disconnected from the electric power system.
- Do not handle any electrical components with wet feet.

Warranty

The manufacturer warrants this LED underwater lights against defects in materials and workmanship for a period of one year from the date of purchase. This warranty does not cover the fixture becoming damaged due to misuse, accidental damage, improper handling and/or installation and specifically excludes liability for direct, incidental or consequential damages.

EC DECLARATIONS OF CONFORMITY

Manufacturer: ATECPPOOL INTERNACIONAL ESPAÑA
Address City: World Trade Center Edificio Sur
Country: Spain

Declaration the following apparatus:

Product Name: Lumina Mini Spa LED Panel Lighting - ABS
Model Name: Spectra
Code: 20224 RGB, 20224 CW, 20224 WW, 20224 B
20224S RGB, 20224S CW, 20224S WW, 20224S B (with SS face plate)
20444RGB, 20444 CW, 20444 WW, 20444 B

Product description:

Lumina Mini LED ABS RGB / Lumina Mini LED ABS with S.S. trim RGB /
Lumina Mini Spa LED S.S RGB
Lumina Mini LED ABS Cool White / Lumina Mini LED ABS with S.S. trim Cool White /
Lumina Mini Spa LED S.S Cool White
Lumina Mini LED ABS Warm White / Lumina Mini LED ABS with S.S. trim Warm White /
Lumina Mini Spa LED S.S Warm White
Lumina Mini LED ABS Blue / Lumina Mini LED ABS with S.S. trim Blue /
Lumina Mini Spa LED S.S Blue

Swimming Pool / Water Feature Underwater LED Lighting

CE Directives

The designated product meets the essential safety requirements of the EC-Directive

2004/108 EC Electromagnetic Compatibility Directive and 2006/95/EC Low Voltage Directive.

Conformity with the following harmonised norms:

The conformity with the provisions of this directive is proved by the compliance with following standards

I hereby declare that the equipment above named has been designed to comply with the relevant sections of above referenced specifications. The unit complies with all applicable Essential Requirements of the Directives.



Place: SPAIN
Date: 05-06-2011



**“Adding light
to your life”**

Contact us

**Head Office
Spain**

ATECPOOL INTERNACIONAL ESPAÑA

World Trade Center Edificio Sur
2ª Planta - Muelle de Barcelona
E-08039 Barcelona, Spain
Tel. + 34 93 3443358
Email: info@atecpool.com

**United Arab
Emirates**

A-TECHNOLOGIES FZCO

Jebel Ali Free Zone
P.O.Box: 18400 Dubai
United Arab Emirates
Tel.+ 971 4 8860880
Fax: + 971 4 8860881
Email: info@a-technologies.com

Sweden

A-TECHNOLOGIES SWEDEN AB

Frillesaasvaegen 83
S-439 62 Frillesaas, Sweden
Tel. + 46 703 655 630
Email: info@atecpool.se

Australia

A-TECHNOLOGIES AUSTRALIA

20 Mercantile Crt.
Molendinar, Qld 4214
P.O. Box: 638, Ashmore City
Tel. + 61 7 55 949111
Fax: + 61 7 55 949266
Email: info@atecpool.au

India

A-TECHNOLOGIES INDIA

613-A, 6th Floor, Ansal Chamber - II
Bhikaji Cama Place, New Delhi
110066, India
Tel. + 91 11 26195948
Email: divender@a-technologies.com

For more product
information:

atecpool.com

join us   

DESIGNED AND ENGINEERED
BY ATECPOOL IN BARCELONA, SPAIN



ATECPOOL
INTERNACIONAL ESPAÑA