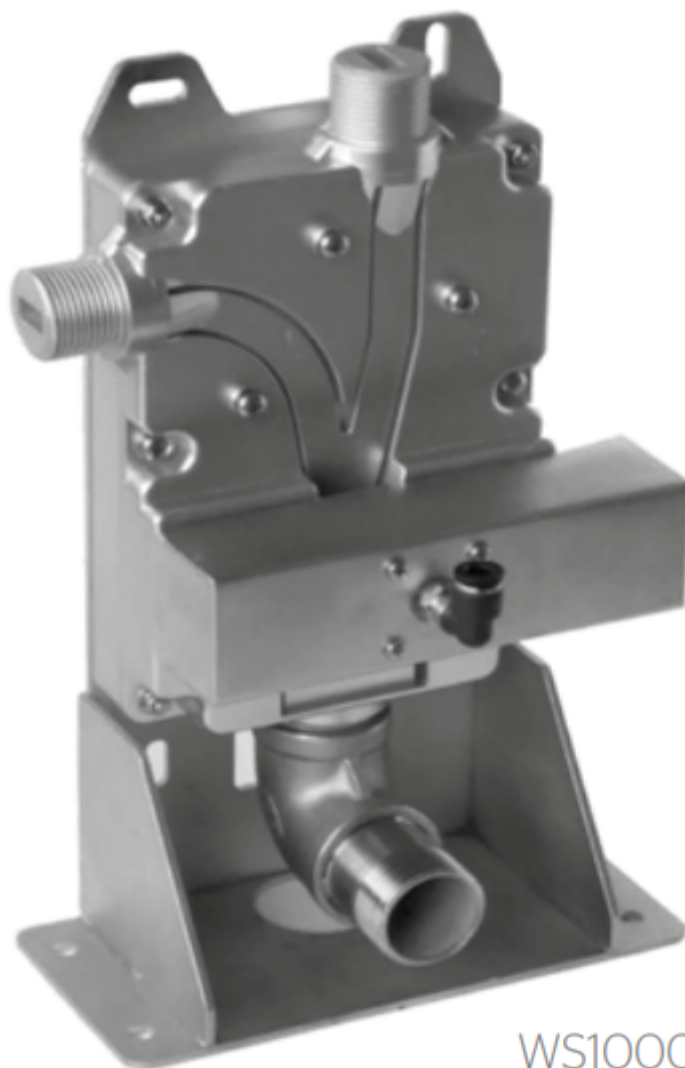


WaterSwitch Installation and Operation Manual

Type: WS1000



WS1000

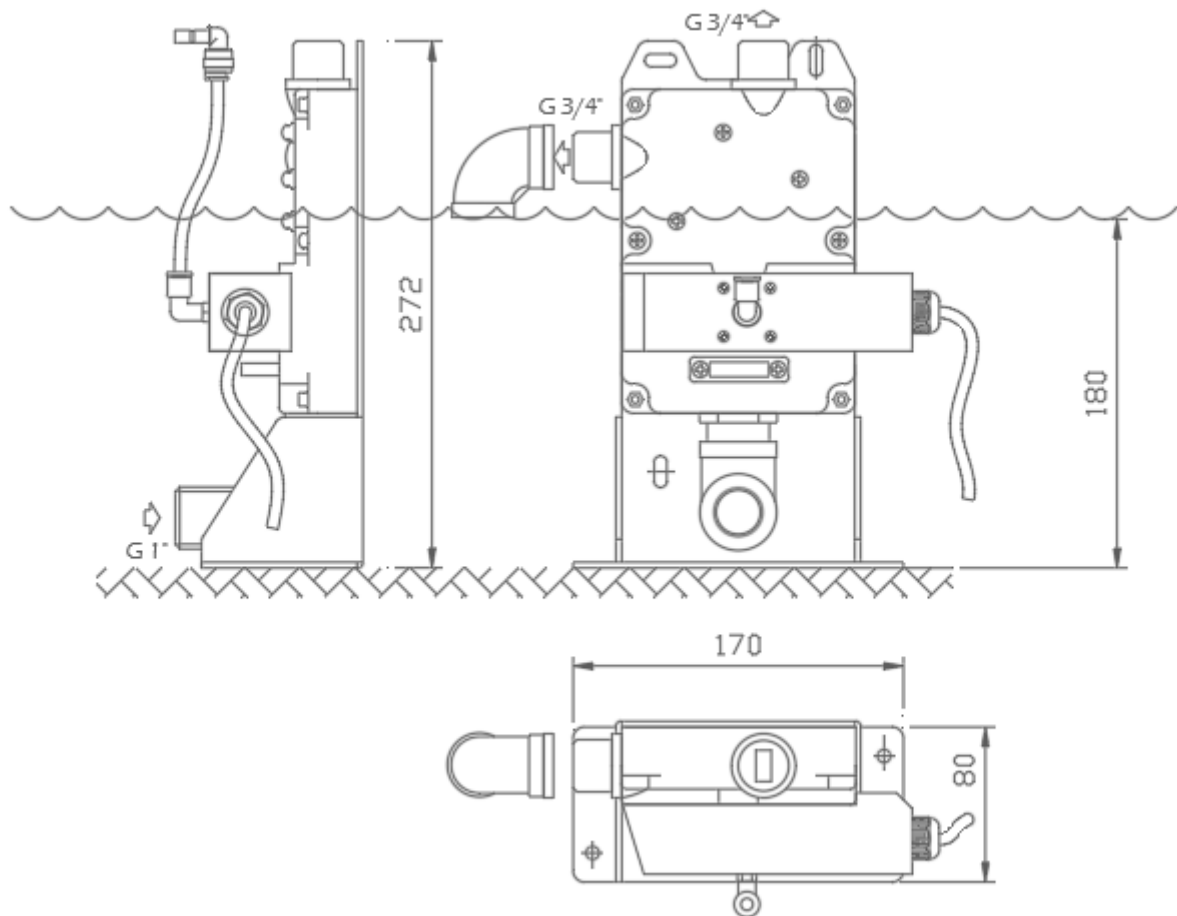
Please read carefully before operating.

CONTENTS

Note	2
Installation Instructions	3
Care and Maintenance	4
Trouble Shooting	5
Tools for maintainese	6
Operator	7

Note

1. The WS (Water Switch)1000 is a special shifter which can produce dynamic spray variation by change the direction of flow.
2. The depth of where the WS1000 installed at should not exceed 180mm to en-sure the water stream spray without a hitch.
3. One G1" inlet, two G3/4" outlets.
4. DC24V for solenoid valve.
5. Switching speed 1/12 sec.
6. Cleanable filter chip.
7. Can be mounted on ground or suspended on horizontal or vertical bracket.



Installation Instructions

1. Put the **WS1000** on proper position and calibrate its direction.
2. Fasten anchor bolts to fix the **WS1000** to the ground or the bracket.
3. The direction of the nozzle is adjustable. Manually adjust the nozzle in the right direction.
4. Install the air pipe joints and air pipe.
5. The air inlet is higher than the water level. Use cable tie tied nozzle and air pipe.
6. Connect the cables for solenoid valve.

Care and Maintenance

1. Make sure that all related facilities have been completely closed before disassembling.
2. Cleaning the filter chip.
 - A.The filter chip is under the solenoid valve.
 - B.Loosen the 2 nuts on the filter chip.
 - C.Take out the filter chip to clean.
 - D.Pay attention to the black sealing mat on filter chip and 2 nuts.

Trouble Shooting

1. No water spray out from one WS1000
 - A. Check the fuse of connection of this WS1000.
 - B. Check if DMX driver HX-V06D has DC24V output.
 - C. Ensure the resistance of valve of WS1000 being within 70~75 Ω .
 - D. Ensure the embedded cable being OK by testing the resistance.
 - E. No sundries inside nozzle and filter of WS1000.
2. The main outlet takes water when solenoid valve don't open.
 - A. It may caused by a blockage at filter chip, please clean the chip promptly.
 - B. It may caused by air pipe under water level, water block air into the air pipe.

Tools for maintainese

1. Multimeter
2. Electroprobe
3. Screwdriver
4. Pliers
5. Monkey wrench
6. Pipe wrench

Operator

1. Licensed electrician and plumber.
2. Minimum 3 years relevant working experience.