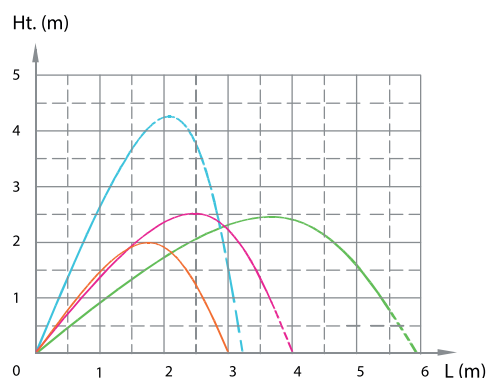


Rainbow Fountain

Z40-16 Jumping Jet



Water Parabolas



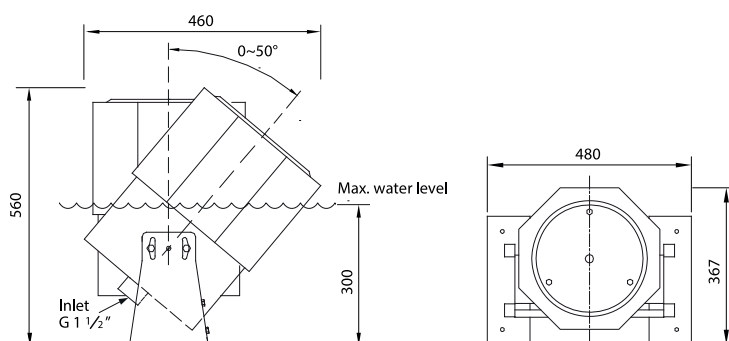
Z40-16 Jumping Jet Specifications

- Effect: laminar water
- Function: cut off
- Orifice: 16mm
- Vertical pivoting range: 0 ~ 50°
- Max. pressure: 0.7bar
- Max. flow rate: 84 l/min
- Max. water depth: 300mm
- Rated voltage of stepper motor: 24V DC
- Current of stepper motor: 2.4A
- Rated voltage of LED light: 24V DC
- Rated power of LED light: 3W
- Light type: LED RGB / white light
- Power cable for LED light: 3m STW 18AWG
- Power cable for stepper motor: 3m STW 18AWG
- Material: stainless steel
- Weight: 38kg

Example of application



Dimensions



| Characteristics | Z40-16 |
|-------------------------|-----------------|
| Rated voltage | 24VDC |
| LED rated power | 3W |
| Power Cable | 3m STW 18AWG |
| Vertical pivoting range | 0~50° |
| Weight | 38kg |
| Orifice | 16 mm |
| Max flow rate | 84 ltr/min |
| Material | Stainless Steel |